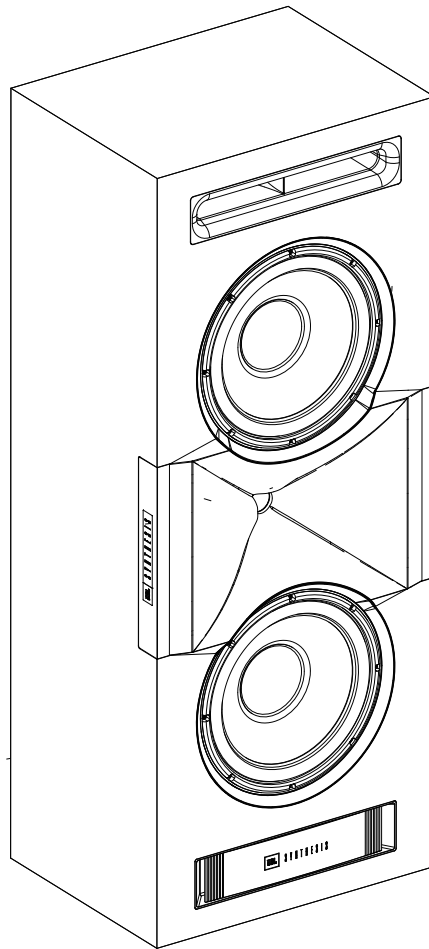


S
Y
N
T
H
E
S
I
S[®]

JBL[®]



JBL[®] SCL-1

- EN High Performance Loudspeaker
- FR Enceinte hautes performances
- DE Hochleistungs-Lautsprecher
- ES Altavoz de alto rendimiento
- PTBR Caixa de Som de Alto Desempenho
- RU Высокопроизводительная аудиосистема
- ZH-CN 高性能扬声器
- JP ハイパフォーマンススピーカー
- KO 고성능 라우드 스피커

OWNER'S MANUAL

IMPORTANT SAFETY INSTRUCTIONS

1. Read these instructions.
2. Keep these instructions.
3. Heed all warnings.
4. Follow all instructions.
5. Clean only with a dry cloth.
6. Do not block any ventilation openings. Install this apparatus in accordance with the manufacturer's instructions.
7. Do not install this apparatus near any heat sources such as radiators, heat registers, stoves or other apparatus (including amplifiers) that produce heat.
8. Use only attachments/accessories specified by the manufacturer.
9. Use only with the cart, stand, tripod, bracket or table specified by the manufacturer or sold with the apparatus. When a cart is used, use caution when moving the cart/apparatus combination to avoid injury from tip-over.
10. Refer all servicing to qualified service personnel. Servicing is required when the apparatus has been damaged in any way, such as when the power-supply cord or plug is damaged, liquid has been spilled or objects have fallen into the apparatus, or the apparatus has been exposed to rain or moisture, does not operate normally or has been dropped.



Correct disposal of this product (Waste Electrical & Electronic Equipment)

This symbol means the product must not be discarded as household waste, and should be delivered to an appropriate collection facility for recycling. Proper disposal and recycling helps protect natural resources, human health and the environment. For more information on disposal and recycling of this product, contact your local municipality, disposal service, or the shop where you bought this product.



RoHS

This product is RoHS compliant.

This product is in compliance with Directive 2011/65/EU, and its amendments, on the restriction of the use of certain hazardous substances in electrical and electronic equipment.

REACH

REACH (Regulation No 1907/2006) addresses the production and use of chemical substances and their potential impacts on human health and the environment. Article 33(1) of REACH Regulation requires suppliers to inform the recipients if an article contains more than 0.1 % (per weight per article) of any substance(s) on the Substances of Very High Concern (SVHC) Candidate List ('REACH candidate list'). This product contains the substance "lead" (CAS-No. 7439-92-1) in a concentration of more than 0.1% per weight.

At the time of release of this product, except for the lead substance, no other substances of REACH candidate list are contained in a concentration of more than 0.1% per weight in this product.

Note: On June 27, 2018, lead was added to the REACH candidate list. The inclusion of lead in the REACH candidate list does not mean that lead-containing materials pose an immediate risk or results in a restriction of permissibility of its use.

CONTENTS

THANK YOU FOR CHOOSING JBL® 3

PACKAGE CONTENTS 3

SPEAKER PLACEMENT 4

 LEFT AND RIGHT SPEAKERS 4

 CENTER CHANNEL SPEAKER 4

 5.1-CHANNEL SYSTEMS 6

 7.1-CHANNEL SYSTEMS 6

GENERAL INSTALLATION NOTES 7

CONNECTING THE SPEAKERS TO AMPLIFICATION 7

 PREPARING THE HOOK-UP WIRE 7

 BI-WIRE OR BI-AMPLIFIER OPTIONS 8

LF and HF NETWORK CONNECTIONS 9

 Default Setting with Built-In LF and HF Network Connection 9

 Bypass Setting without Built-In LF and HF Network Connection 10

CARING FOR YOUR SPEAKERS 10

SPECIFICATIONS 11

DIMENSIONS 11

THANK YOU FOR CHOOSING JBL®

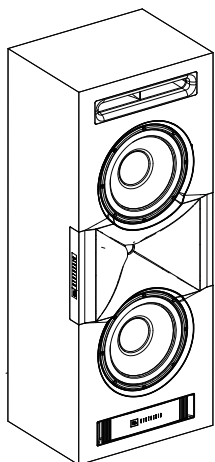
For more than 70 years, JBL has been involved in every aspect of music and film recording and reproduction, from live performances to monitoring the recordings you play in your home, car or office.

We are confident that the JBL Synthesis loudspeaker you have chosen will provide every note of enjoyment that you expect – and that when you think about purchasing additional audio equipment for your home, car or office, you will once again choose JBL.

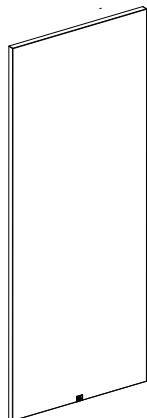
Please take a moment to register your product on our website at www.jblsynthesis.com. This enables us to keep you posted on our latest advancements, and helps us to better understand our customers and build products that meet their needs and expectations.

All features and specifications are subject to change without notice.

PACKAGE CONTENTS



1x SCL-1



1x Grille



1x Quick Start Guide

If you suspect that there has been shipping damage, report it immediately to your dealer. We recommend that you keep the box and packing materials for future use.

SPEAKER PLACEMENT

Positioning your loudspeakers properly is critical in order to achieve the sonic performance of a home theater. Please read the following section for guidance in correct and optimal placement.

LEFT AND RIGHT SPEAKERS

The SCL-1 is a perfect choice to serve as front left and right main speakers in a multi-channel system. Since they have been designed for uniform coverage and maximum dispersion of sound, they should be placed with the center of the speakers at about the same height on screen as the actors to aid in the illusion that the actors' voices are coming directly from their on-screen images. Ideally, the speakers will be placed about 60 degrees apart from each other viewed from the listening position, so that the distance between the speakers is the same as each speaker's distance from the listener (Figure 1).

The recommended mounting of the SCL-1 is vertical with the port at the top. (Figure 2).

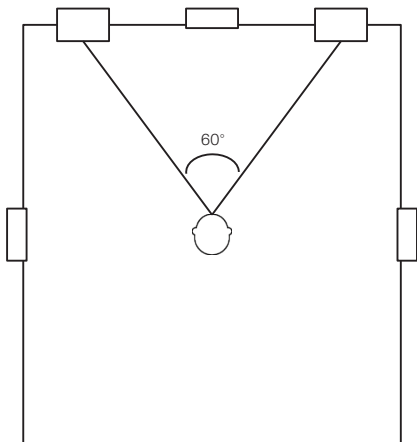


Figure 1



Figure 2

CENTER CHANNEL SPEAKER

The SCL-1 may be oriented either vertically or horizontally when used as a center channel speaker. If the speaker is being used with a perforated projection screen, it should be mounted behind the center of the screen with the horizontal center axis aligned as close as possible to the center axis of the Left and Right channel speakers (Figure 3).

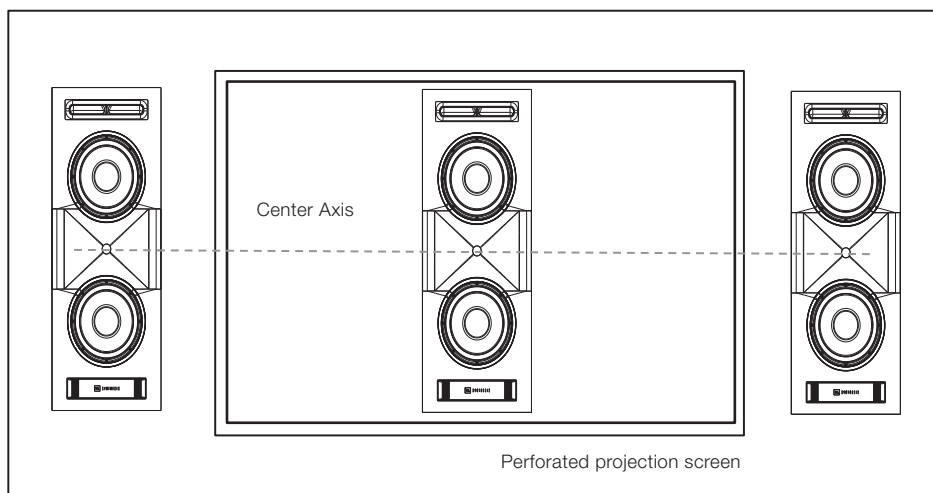


Figure 3

NOTE: Some perforated projection screens have a batten bar or crossbar centered across the screen frame (Figure 4). In such cases make sure the bar does not block the horn. Position vertically oriented speakers so that the bar crosses in front of the speakers at the edge of the horn closest to the central woofer.

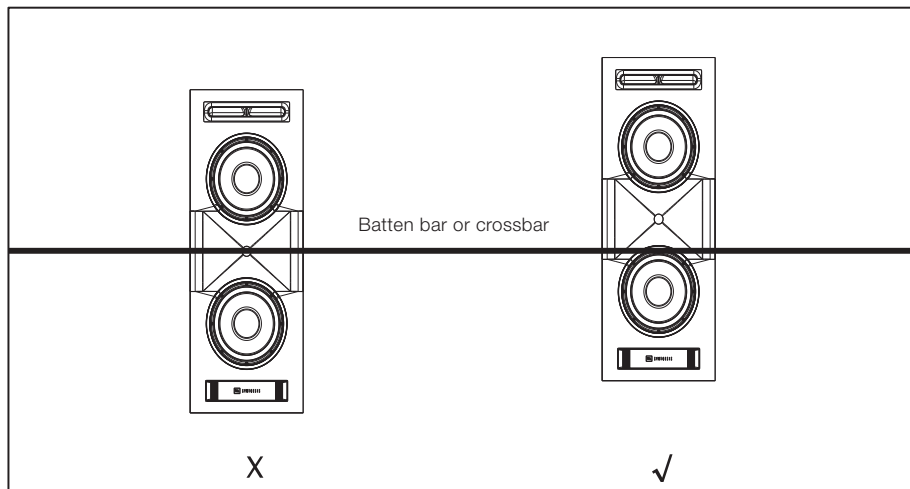


Figure 4

If a non-perforated projection screen, LCD/plasma/OLED display is being used in the installation, the SLC-1 may be used in horizontal orientation mounted directly below or above and as close as possible to the video display (Figure 5).

NOTE: It is extremely important to place the center, left and right speakers as close as possible to the same height. The horn in the center channel speaker should be no more than 2 feet (61cm) higher or lower than those in the left and right speakers. This preserves the localization integrity of “sound pans” in which the sound appears to move from left to center to right. If the program material also appears to travel up and down, it can destroy the illusion of lifelike panning effects. To mitigate the height difference between the center speaker the Left and Right channel speakers should be lowered slightly. (Figure 5).

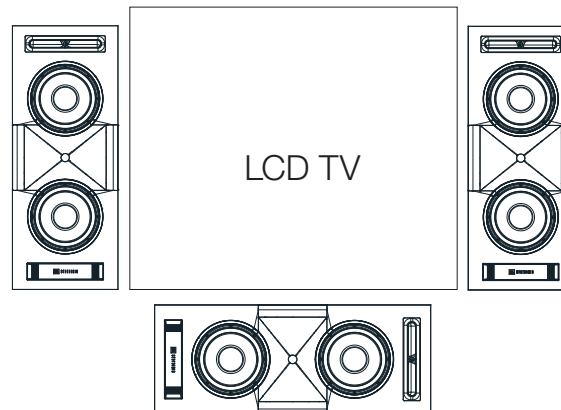


Figure 5

5.1-CHANNEL SYSTEMS

Surround speakers should be placed in the side walls no closer to the screen than the first row of viewing chairs. If there are two rows of chairs, these speakers should be placed between the two rows. Surround speakers should be placed higher than the seating area, at least 2 feet above seated ear level (Figure 6).

Notes:

Please consult your authorized JBL Synthesis dealer for surround speakers' product options

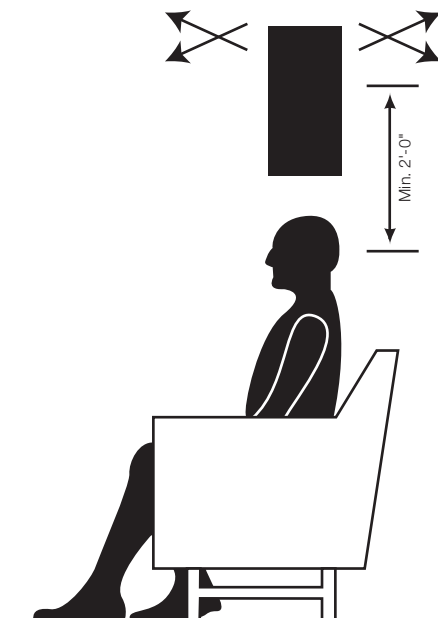


Figure 6

7.1-CHANNEL SYSTEMS

In a 7.1-channel system, two speakers are added for rear fill, in addition to the surround speakers in a 5.1-channel system. The two additional speakers are placed on or at the rear wall if used in-room. (Figure 7).

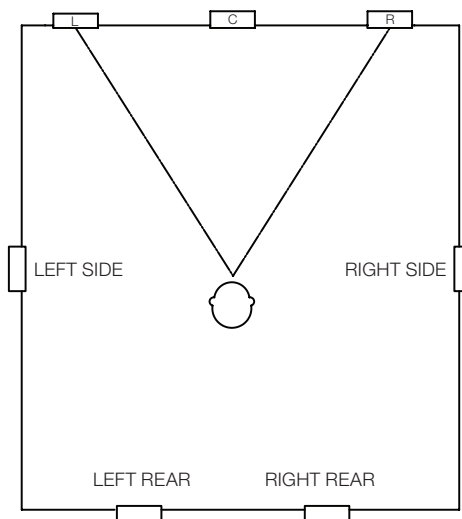


Figure 7

GENERAL INSTALLATION NOTES

1. Identify all wiring connections to rear enclosure and to baffle network.
2. Choose from the wiring options (single wire, bi-wire, bi-amp) before installation.

CONNECTING THE SPEAKERS TO AMPLIFICATION

To connect the Synthesis SCL-1 loudspeakers to power amplifier(s) or receiver, use two-conductor insulated speaker wire..

WIRE LENGTH	RECOMMENDED SIZE
Up to 20 ft.	14-gauge
Up to 30 ft.	12-gauge
Greater than 30 ft.	10-gauge

The SCL-1 spring-loaded binding posts can accommodate up to #10 AWG stranded wire.

PREPARING THE HOOK-UP WIRE

1. Determine the distance between your amplifier and the most distant speaker in each group (fronts, surrounds, rear surrounds).
2. Make the hookup wires for all speakers in each group this same length, even if one speaker is much closer to your amplifier than the farthest one to maintain proper channel balance. Remember to make extra wires for bi-amp or bi-wire usage should you opt for either method.
3. Run wires through walls to the mounting positions.
4. Strip off 3/8" of insulation from both ends of each conductor and twist each set of stranded wires into a tightly bunched spiral.
5. Speakers and electronics terminals have corresponding positive (+) and negative (-) terminals. Most manufacturers of speakers and electronics, including JBL, Inc., use red to denote the (+) terminal and black for the (-) terminal. Please confirm before connecting.

It is important to connect all speakers identically: (+) on the speaker to (+) on the amplifier and (-) on the speaker to (-) on the amplifier. Wiring any one speaker "out of phase" (+ to - and - to +) to other speakers in the system results in thin sound, weak bass and poor imaging.

Find a visual difference between the two conductors of each pair of speaker wires. Differentiating marks can be a different color wire (copper or silver); a strand of yarn in one conductor; thin, raised ribs on one part of the outer insulation; or a printed marking on one part of the outer insulation. It doesn't matter which of the two strands go to the (+) and (-) on the speakers and amplifiers, as long as all speakers are connected identically positive (+) to positive (+), negative (-) to negative (-) (Figure 8).

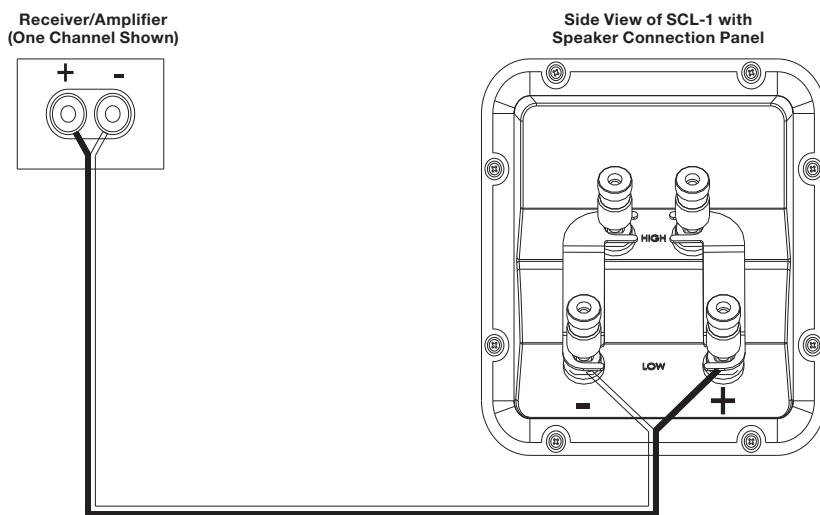


Figure 8

BI-WIRE OR BI-AMPLIFIER OPTIONS

The SCL-1 has two sets of connectors to allow for bi-wire or bi-amp operation.

1. Cut two pair of wires for each bi-wired speaker.
2. Mark both ends of the wire pairs intended for low frequency use as "LF," and both ends of the wire intended for high frequency use as "HF." Then run the two sets of wire to the mounting position.
3. Connect "HF" labeled pair to the speaker's "HF" input, and the "LF" labeled pair to the "LF" input. (Figure 9)
4. Before installing the speaker that will be bi-wired or bi-amplified, remove the two gold-plated jumper straps on the terminal cup by loosening the terminals. Store the straps away safely for future use. Be sure to tighten the terminals on the LF and HF wires. (Figure 9)
5. Proceed to install the back box and speaker following the instructions elsewhere in this manual.

CAUTION: Do not connect to your speaker in bi-wire fashion with the jumper straps attached. Severe amplifier damage, personal injury, or damage to other property may result.

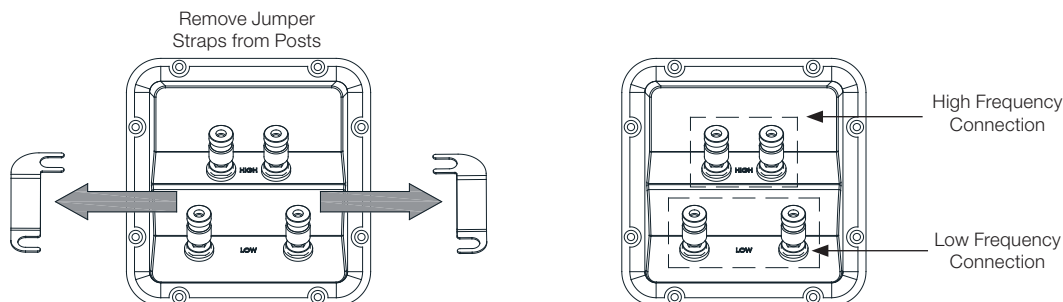


Figure 9

Bi-wiring

An amplifier and speaker system are bi-wired when the high frequency and low frequency inputs of the speaker are driven by two different wires from the same amplifier channel. Usually different types of wire are used for the connections: a high-current-capability wire or a wire that sounds better to the user for bass is typically used for low frequencies, and a low-inductance wire or a wire that sounds better for treble to the user is used for high frequencies. Both wires are connected to the same amplifier output. Some report moderate improvement with this wiring.

To bi-wire the SCL-1, connect the speaker according to the following illustration:

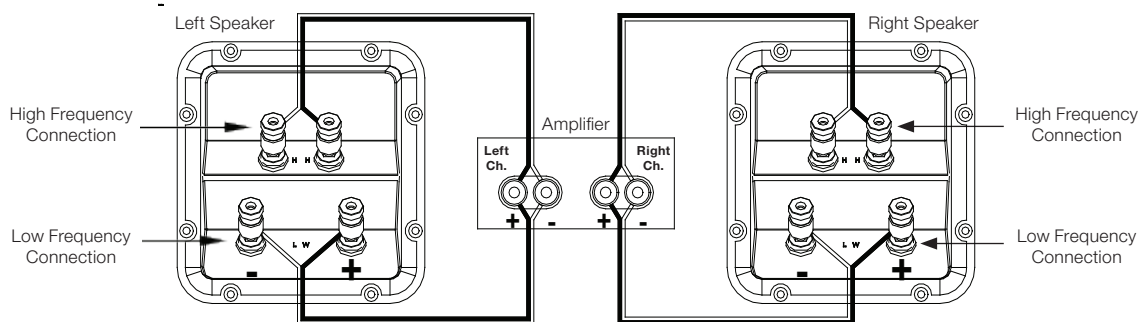
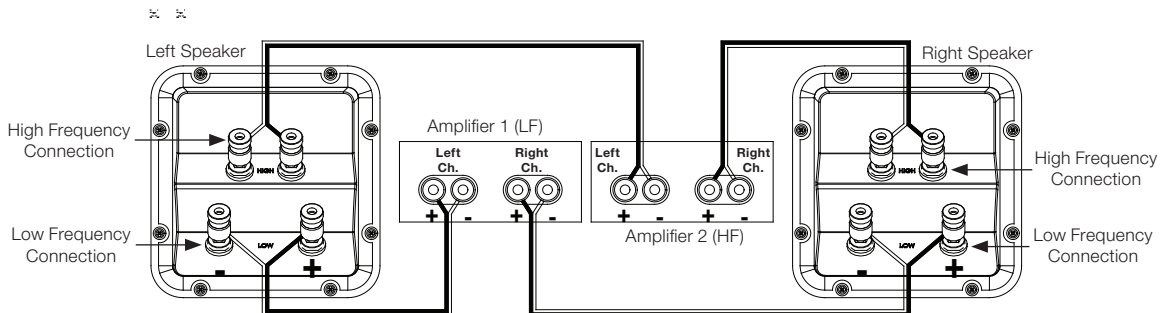


Figure 10

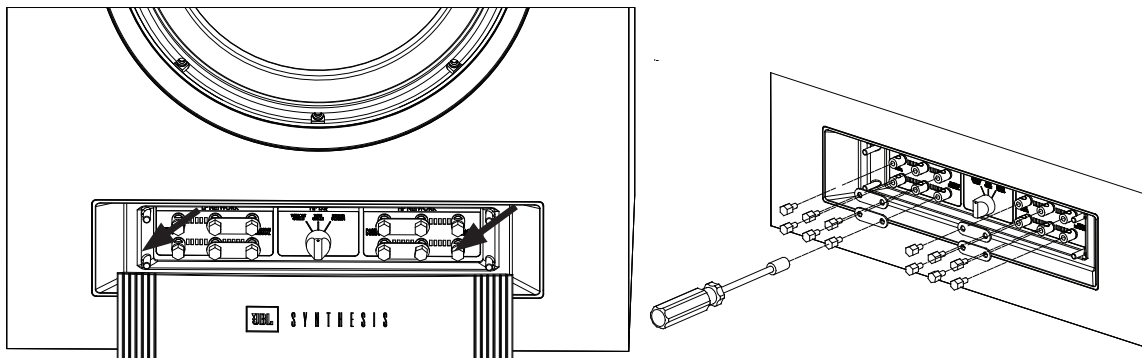
BI-WIRE AND BI-AMP CONNECTION (continued):

Bi-Amplified Wiring

An amplifier and speaker system are bi-amplified when one channel of an amplifier is used for high frequencies, and one channel of an amplifier is used for low frequencies. One 2-way speaker could use both channels from a stereo amplifier. Selecting amplifier channels and wires better suited for different bandwidths can produce noticeable improvement. To wire the SCL-1 for bi-amplification, connect the speakers according to the following illustration:



LF AND HF NETWORK CONNECTIONS



Attention:

To avoid poor electrical contact caused by loose shorting bar mounting screws, make sure that the screws are firmly installed. However, if you overtighten, there is a risk of damaging the terminals themselves. Please tighten screws with reasonable torque by hand only.

Default Setting with Built-In LF and HF Network Connection

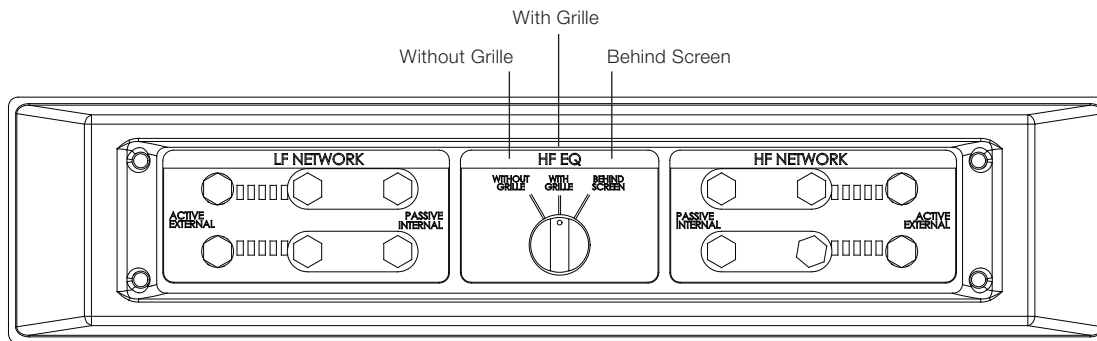


Figure 11

Bypass Setting without Built-In LF and HF Network Connection.

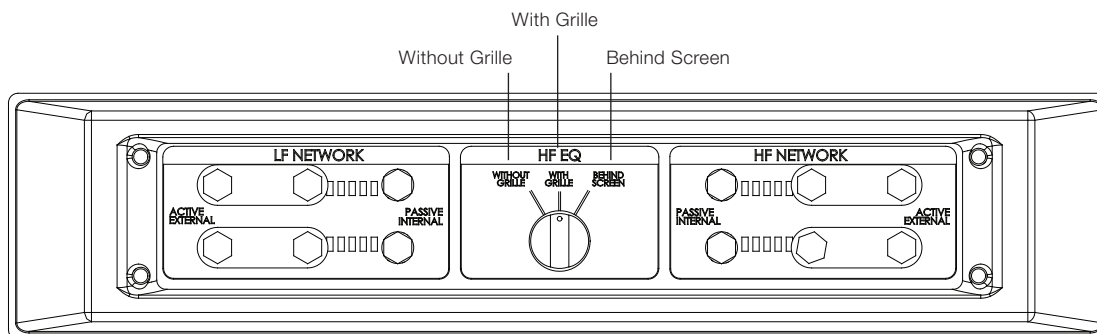


Figure 12

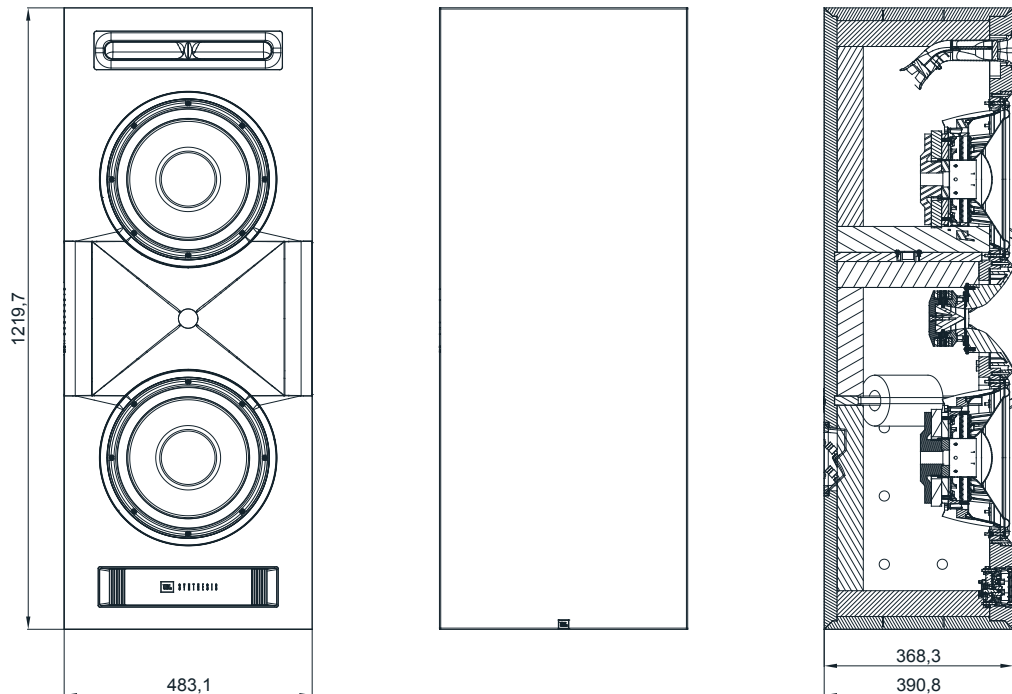
CARING FOR YOUR SPEAKERS

- Wipe the cabinet with a clean, dry cloth to remove dust. A damp cloth may dull the cabinet's finish. Do not use volatile liquids such as benzene, paint thinner or alcohol on the cabinet.
- Do not spray insecticide near the cabinet.
- To remove dust from the grille fabric, use a vacuum cleaner set to low suction.
- Do not wash the grille in water, as water may fade the grille's color or make it uneven.
- If the surface of the woofer cone becomes dusty, you can carefully sweep it clean with a soft, dry calligraphy brush or paint brush. Do not use a damp cloth.

SPECIFICATIONS

Speaker Type	2-Way In-room Loudspeaker
Low Frequency Driver Size and Material	Dual 12-inch (300mm) Black Carbon Cellulose Composite Cone (C4) cast-frame woofers
High Frequency Driver Size and Material	3" (75mm) Dual annular Teonex® ring-diaphragm compression driver with dual neodymium motor structures mated to High-Definition Imaging (HDI™) Horn
Recommended Amplifier Power, Full Bandwidth	500 WRMS, minimum
Recommended Amplifier Power, 80 Hz Crossover	500 WRMS, minimum
Nominal Impedance	4 Ohms
Loudspeaker Sensitivity	94dB/2.83V/1m
Frequency Response	40 Hz - 24 kHz (-6 dB), 3rd order LF roll-off
Crossover Frequency	775 Hz
Coverage area, -6 dB @ 10 kHz	Approximately 120 degrees horizontal x 100 degrees vertical
Coverage area, -6 dB @ 20 kHz	Approximately 90 degrees horizontal x 70 degrees vertical
Enclosure Type:	Complementary Bass Alignment System (CBAS™)
Controls	3 Position - No grille, With grille, or Behind screen
Input Type	Dual sets of gold-plated spring-loaded binding posts
Product Dimensions (with grille)	48.02" H x 19.02" W x 15.4" D (1219.7mm x 483.1mm x 390.8mm)
Product Weight (with grille)	177.5 lb. (80.5 kg)
Finishes:	Black Vinyl

DIMENSIONS



CONSIGNES DE SÉCURITÉ IMPORTANTES

1. Lisez ces instructions.
2. Conservez ces instructions.
3. Tenez compte de tous les avertissements.
4. Suivez toutes les instructions.
5. Nettoyez uniquement avec un chiffon sec.
6. Ne bouchez aucune ouverture de ventilation. Installez cet appareil conformément aux instructions du fabricant.
7. N'installez pas cet appareil à proximité d'une source de chaleur telle que des radiateurs, des bouches de chaleur, des fourneaux ou d'autres appareils (y compris les amplificateurs) qui produisent de la chaleur.
8. Utilisez seulement des compléments/accessoires spécifiés par le constructeur.
9. Utilisez l'appareil seulement avec le chariot, pied, trépied, support ou table spécifié par le constructeur, ou vendu avec l'appareil. Lors de l'utilisation d'un chariot, faites attention en déplaçant l'ensemble chariot/appareil afin d'éviter des blessures dues à un basculement.
10. Toutes les réparations doivent être effectuées par un personnel qualifié. Une révision est nécessaire si l'appareil a été endommagé d'une façon quelconque, si le cordon ou la fiche d'alimentation sont endommagés, si du liquide a été renversé sur l'appareil ou si des objets sont tombés dedans, si l'appareil a été exposé à la pluie ou à l'humidité, s'il ne fonctionne pas normalement ou s'il est tombé.



Élimination correcte de ce produit (Déchets d'équipements électriques et électroniques)

Ce symbole signifie que le produit ne doit pas être jeté comme déchet ménager et doit être remis à une installation de collecte appropriée pour son recyclage. Une élimination et un recyclage appropriés aident à protéger les ressources naturelles, la santé humaine et l'environnement. Pour obtenir plus d'informations sur l'élimination et le recyclage de ce produit, contactez votre municipalité locale, le service de gestion des déchets ou le magasin où vous avez acheté ce produit.



RoHS

Ce produit est conforme à la RoHS.
Ce produit est conforme à la directive 2011/65/UE et à ses amendements sur la restriction de l'utilisation de certaines substances dangereuses dans les équipements électriques et électroniques.

REACH

REACH (règlement N° 1907/2006) concerne la production et l'utilisation de substances chimiques ainsi que leurs impacts potentiels sur la santé humaine et l'environnement. L'article 33(1), du règlement REACH exige des fournisseurs qu'ils informent les destinataires si un article contient plus de 0,1% (par poids et par article) d'une ou plusieurs substances figurant sur la liste candidate des substances extrêmement préoccupantes (SVHC, substances of very high concern) (« Liste candidate REACH »). Ce produit contient la substance « plomb » (N° CAS 7439-92-1) à une concentration supérieure à 0,1 % en masse.

Au moment de la production de ce produit, à part la substance plomb, aucune autre substance de la liste des candidates REACH n'est présente à une concentration supérieure à 0,1 % en masse dans ce produit.

Remarque : Le 27 juin 2018, le plomb a été ajouté à la liste des substances candidates REACH. L'inclusion du plomb dans la liste des substances candidates REACH ne signifie pas que les matériaux contenant du plomb posent un risque immédiat et ne conduit pas à une restriction d'autorisation de leur utilisation.

TABLE DES MATIÈRES

MERCI D'AVOIR CHOISI JBL®.....	13
CONTENU DE L'EMBALLAGE.....	13
POSITIONNEMENT DES ENCEINTES.....	14
ENCEINTES GAUCHES ET DROITES.....	14
ENCEINTE DE CANAL CENTRAL.....	14
SYSTÈMES À 5.1 CANAUX.....	16
SYSTÈMES À 7.1 CANAUX.....	16
REMARQUE GÉNÉRALES SUR L'INSTALLATION.....	17
CONNEXION DES ENCEINTES À L'AMPLIFICATION.....	17
PRÉPARATION DU CÂBLAGE.....	17
OPTIONS DE BICÂBLAGE OU DE BI-AMPLIFICATION.....	18
CONNEXIONS DES RÉSEAUX BF et HF.....	19
Réglage par défaut avec connexion des réseaux BF et HF intégrés.....	19
Réglage en dérivation sans connexion des réseaux BF et HF intégrés.....	20
ENTRETIEN DE VOS ENCEINTES.....	20
SPÉCIFICATIONS.....	21
DIMENSIONS.....	21

MERCI D'AVOIR CHOISI JBL®

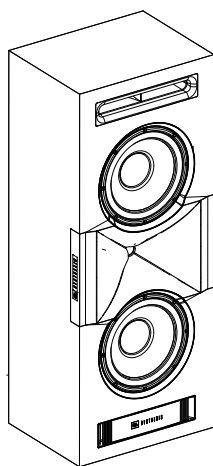
Depuis plus de 70 ans, JBL se consacre à tous les aspects de l'enregistrement et de la reproduction de la musique et des films, des performances scéniques aux enregistrements que vous écoutez chez vous, dans votre voiture ou au bureau.

Nous sommes persuadés que l'enceinte JBL Synthesis que vous avez choisie vous offrira chaque note de plaisir que vous attendez – et que lorsque vous penserez à acheter un équipement audio supplémentaire pour votre domicile, voiture ou bureau, vous choisirez de nouveau JBL.

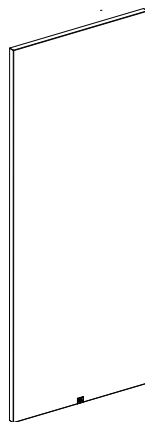
Veuillez prendre un moment pour enregistrer votre produit sur notre site web www.jblsynthesis.com. Ceci nous permettra de vous tenir informé sur nos avancements les plus récents et nous aidera à mieux comprendre nos clients pour fabriquer des produits qui répondent à leurs besoins et attentes.

Toutes les caractéristiques et spécifications peuvent faire l'objet de modifications sans préavis.

CONTENU DE L'EMBALLAGE



1 SCL-1



1 grille



1 guide de démarrage rapide

Si vous pensez que le transport a provoqué des dommages, rapportez-la immédiatement à votre distributeur. Nous vous recommandons de conserver la boîte et les matériaux d'emballage pour une utilisation ultérieure.

POSITIONNEMENT DES ENCEINTES

Le bon positionnement de vos enceintes est essentiel pour obtenir les performances sonores d'un cinéma à domicile. Veuillez lire les conseils pour un positionnement correct et optimal dans la section suivante.

ENCEINTES GAUCHES ET DROITES

La SCL-1 est un choix parfait comme enceinte principale avant gauche ou droite dans un système multicanal. Son design étant prévu pour une couverture uniforme et une dispersion sonore maximale, son centre doit être placé à environ la même hauteur d'écran que les acteurs afin de renforcer l'illusion que leurs voix proviennent directement de leurs images à l'écran. Idéalement, les enceintes seront écartées d'environ 60 degrés, vues de la position d'écoute, afin que la distance qui les sépare soit égale à la distance entre les enceintes et l'auditeur (figure 1).

Il est recommandé d'installer la SCL-1 verticalement avec son évent en haut. (Figure 2).

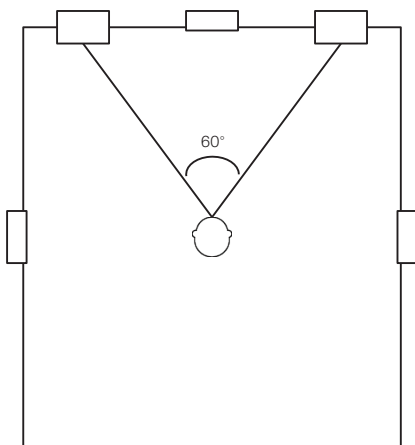


Figure 1

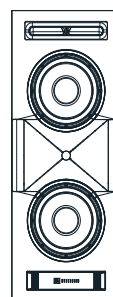


Figure 2

ENCEINTE DE CANAL CENTRAL

La SCL-1 peut être orientée verticalement ou horizontalement lorsqu'elle est utilisée en tant qu'enceinte centrale. Si l'enceinte est utilisée avec un écran de projection perforé, elle doit être montée derrière le centre de l'écran avec son axe central horizontal aligné aussi proche que possible de l'axe central des enceintes des canaux gauches et droits (figure 3).

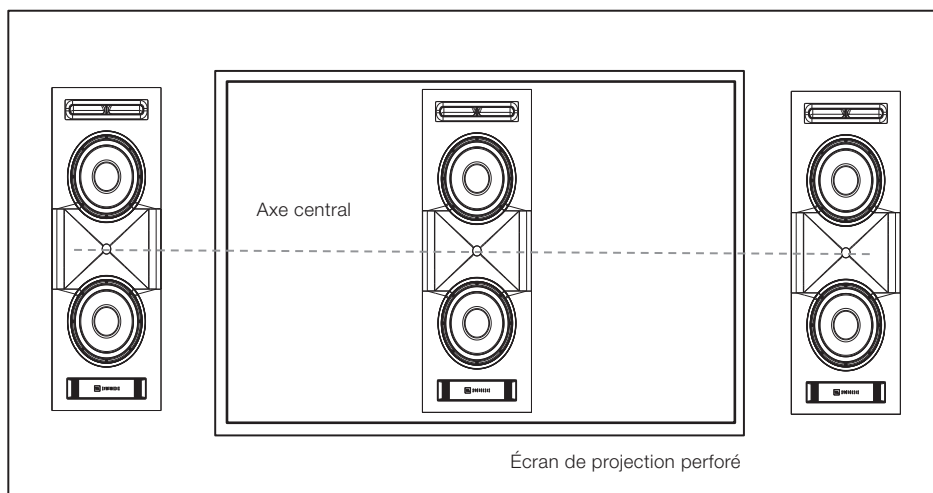


Figure 3

REMARQUE : Certains écrans de projection perforés comportent une latte ou une traverse centrée sur la trame de l'écran (figure 4). Vérifiez dans de tels cas que la barre ne masque pas le pavillon. Positionnez des enceintes orientées verticalement de telle façon que la barre passe devant les enceintes au bord du pavillon le plus proche du haut-parleur basses fréquences central.

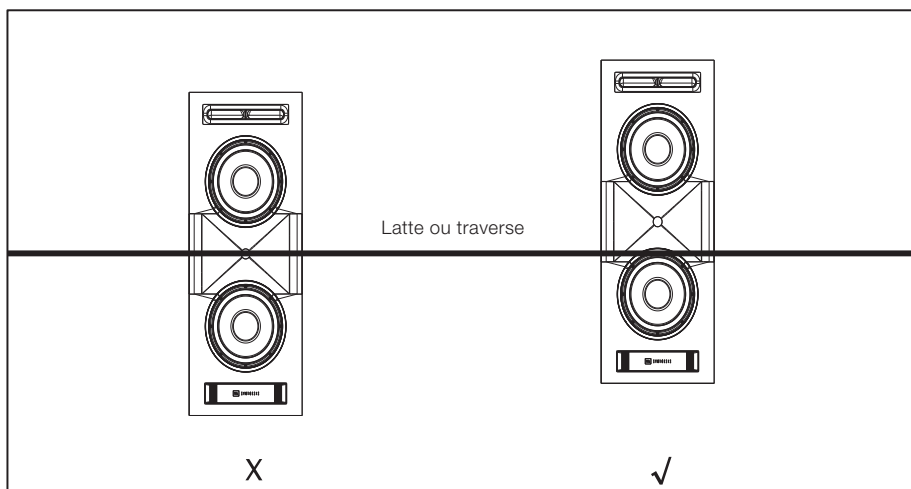


Figure 4

Si un écran de projection non perforé ou un écran LCD/plasma/OLED est utilisé dans l'installation, la SLC-1 peut être utilisée orientée horizontalement et montée directement sous ou sur et aussi près que possible de l'écran vidéo (figure 5).

REMARQUE : Il est extrêmement important de placer les enceintes centrales, gauches et droites à la même hauteur. Le pavillon de l'enceinte du canal central ne doit pas être plus haut ou plus bas de plus de 61 cm (2 pieds) de ceux des enceintes gauches et droites. Cela préserve l'intégrité de la localisation des « panoramiques audio » qui donnent l'impression que le son se déplace de la gauche au centre et vers la droite. Si le contenu du programme semble également se déplacer vers le haut ou le bas, cela peut détruire l'illusion des effets panoramiques doit donc être évité. Afin d'atténuer la différence de hauteur avec l'enceinte centrale, les enceintes des canaux gauches et droits doivent être légèrement abaissées. (Figure 5).

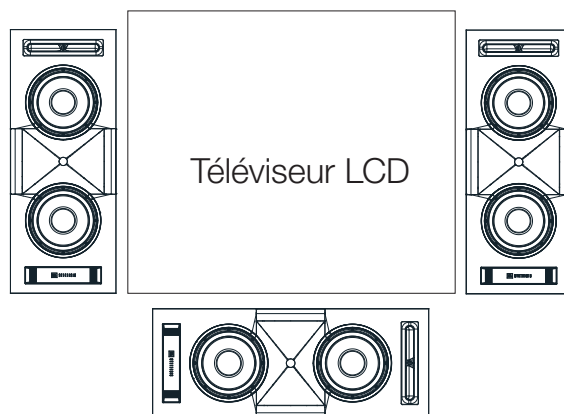


Figure 5

SYSTÈMES À 5.1 CANAUX

Les enceintes d'ambiance doivent être placées dans les parois latérales, au moins à la distance de l'écran du premier rang de sièges de visionnage. S'il y a deux rangs de sièges, ces enceintes doivent être placées entre des deux rangs. Les enceintes d'ambiance doivent être plus hautes que la zone des sièges, au moins à 61 cm (2 pieds) au-dessus du niveau des oreilles des personnes assises (figure 6).

Remarques :

Veillez consulter votre revendeur agréé JBL Synthesis sur les options des produits enceintes surround.

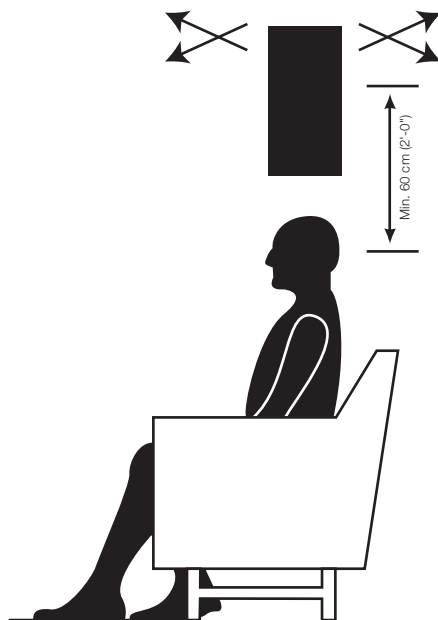


Figure 6

SYSTÈMES À 7.1 CANAUX

Dans un système 7.1 canaux, deux enceintes sont ajoutées pour le remplissage arrière, en plus des enceintes d'ambiance d'un système 5.1 canaux. Les deux enceintes supplémentaires sont placées sur la paroi arrière ou à son niveau si elles sont utilisées dans la pièce. (Figure 7).

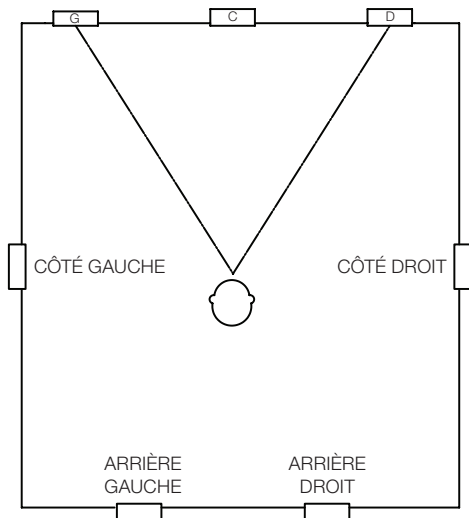


Figure 7

REMARQUE GÉNÉRALES SUR L'INSTALLATION

1. Identifiez toutes les connexions de câblage vers le caisson arrière et vers le réseau déflecteur.
2. Choisissez parmi les options de câblage (câble unique, bicâblage, bi-amplification) avant l'installation.

CONNEXION DES ENCEINTES À L'AMPLIFICATION

Pour connecter les enceintes Synthesis SCL-1 à un ou plusieurs amplificateurs de puissance ou récepteurs, utilisez un câble d'enceinte isolé à deux conducteurs.

LONGUEUR DES CÂBLES	CALIBRE RECOMMANDÉ
Jusqu'à 6 m (20 pieds).	2,08 mm ² (14 gauge)
Jusqu'à 9 m (30 pieds).	3,31 mm ² (12 gauge)
Plus de 9 m (30 pieds).	5,26 mm ² (10 gauge)

Les SCL-1 sont munies de bornes à ressort de rappel qui peuvent accepter du fil toronné jusqu'à 5,26 mm² (10 AWG).

PRÉPARATION DU CÂBLAGE

1. Déterminez d'abord la distance entre votre amplificateur et l'enceinte la plus éloignée de chaque groupe (avant, ambiance, ambiance arrière).
2. Créez les câbles de connexion de toutes les enceintes de chaque groupe à cette longueur, même si une enceinte est beaucoup plus proche de votre amplificateur que l'autre afin de préserver l'équilibre du canal. N'oubliez pas de préparer des câbles supplémentaires en cas de bi-amplification ou de bicâblage si vous choisissez l'une de ces méthodes.
3. Faites passer les fils dans les murs jusqu'aux positions de montage.
4. Dénudez 9,5 mm (3/8") d'isolant aux deux extrémités de chaque conducteur et torsadez chaque ensemble de fils en une hélice bien serrée.
5. Les enceintes et les bornes électroniques ont des bornes positives (+) et négatives (-). La plupart des fabricants d'enceintes et d'électronique, y compris JBL, Inc., utilisent le rouge pour la borne (+) et le noir pour la borne (-). Veuillez confirmer avant le branchement.

Il est important de brancher toutes les enceintes de la même façon : (+) sur l'enceinte vers (+) sur l'amplificateur et (-) sur l'enceinte vers (-) sur l'amplificateur. Le câblage « déphasé » d'une enceinte (+ sur - et - sur +) par rapport aux autres enceintes du système produit un son étroit, des graves faibles et une image sonore dégradée.

Trouvez une différence visuelle entre les deux conducteurs de chaque paire de fils d'enceintes. Les signes de différenciation peuvent être un fil d'une couleur différente (cuivre ou argent), un fil de coton dans un conducteur, des nervures sur une partie de l'isolant extérieur ou un marquage imprimé sur une partie de l'isolant extérieur. Le choix de l'un des deux fils comme (+) et (-) sur les enceintes et les amplificateurs n'a pas d'importance, tant que toutes les enceintes sont connectées de façon identique, positif (+) sur positif (+), négatif (-) sur négatif (-) (figure 8).

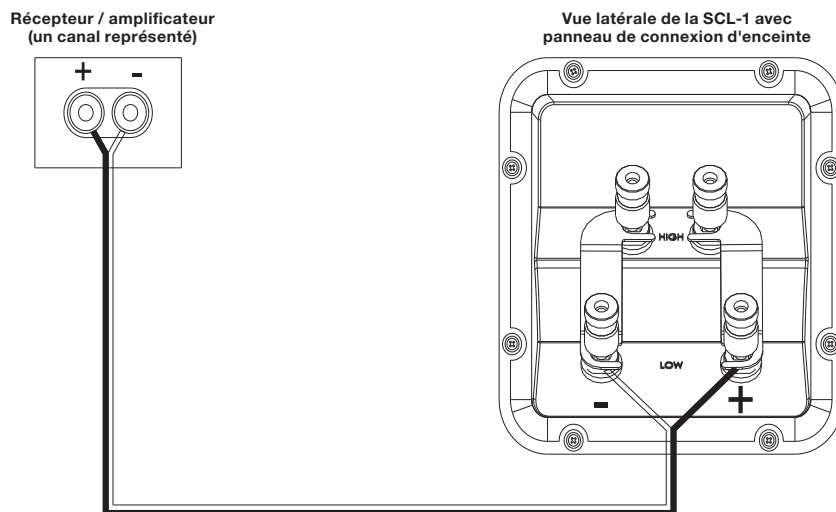


Figure 8

OPTIONS DE BICÂBLAGE OU DE BI-AMPLIFICATION

La SCL-1 comporte deux ensembles de connecteurs afin de permettre un fonctionnement en bicâblage ou bi-amplification.

1. Coupez deux paires de fils pour chaque enceinte bi-câblée.
2. Marquez les deux extrémités de câbles destinées aux basses fréquence avec « LF » et les deux extrémités de câbles destinées aux hautes fréquences avec « HF ». Faites alors passer les deux jeux de câbles jusqu'à la position de montage.
3. Branchez la paire marquée « HF » à l'entrée « HF » de l'enceinte et la paire marquée « LF » à l'entrée « LF ».
(Figure 9)
4. Avant d'installer l'enceinte qui sera bicâblée ou bi-amplifiée, retirez les deux cavaliers plaqués or de la cavité des bornes en dévissant les bornes. Rangez les cavaliers soigneusement pour une utilisation future. Assurez-vous de serrer les bornes des fils BF et HF. (Figure 9)
5. Installez le boîtier arrière et l'enceinte en suivant les instructions du présent manuel.

ATTENTION : n'effectuez pas un bi-câblage de votre enceinte avec les cavaliers installés. Cela peut provoquer des dommages graves à l'amplificateur, des blessures ou des dommages matériels.

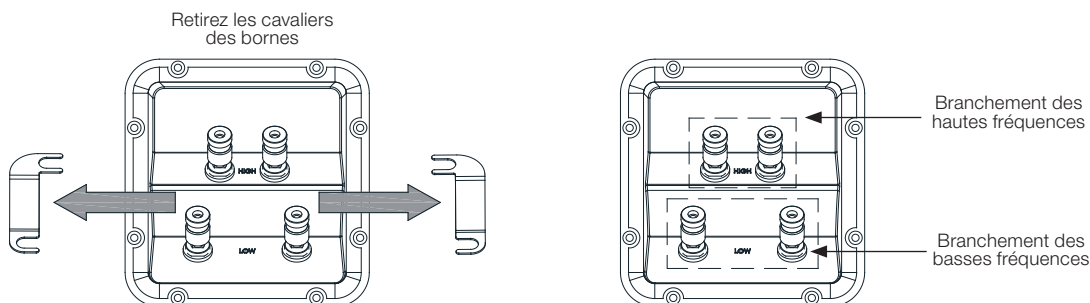


Figure 9

Bi-câblage

Un amplificateur et un système d'enceintes sont bi-câblés lorsque les entrées hautes fréquences et basses fréquences de l'enceinte sont pilotées par deux câbles différents provenant du même canal de l'amplificateur. Différents types de câbles sont habituellement utilisés pour les connexions : un câble à haute intensité ou un câble préféré par l'utilisateur pour les basses est généralement utilisé pour les basses fréquences, et un câble à faible inductance ou un câble préféré par l'utilisateur pour les aigus est utilisé pour les hautes fréquences. Les deux câbles sont connectés à la même sortie d'amplificateur. Certaines personnes rapportent une légère amélioration avec ce câblage.

Pour bi-câbler la SCL -1, connectez l'enceinte conformément à l'illustration suivante :

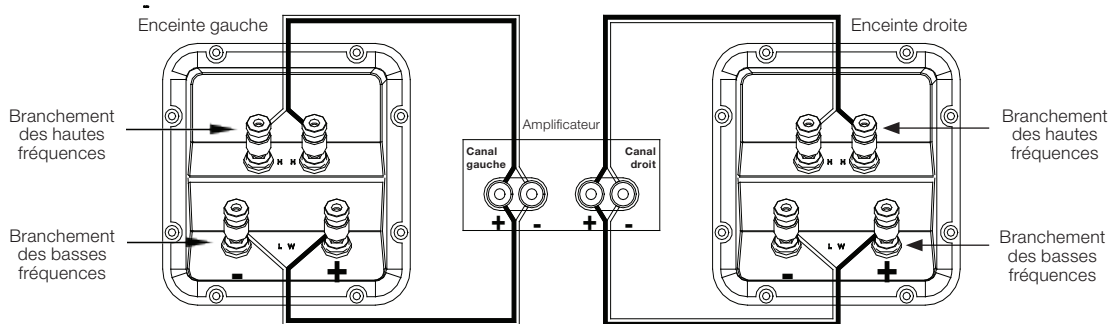
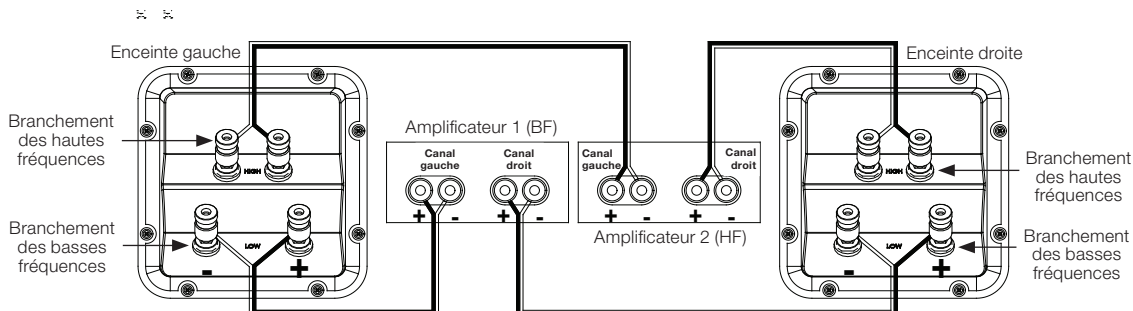


Figure 10

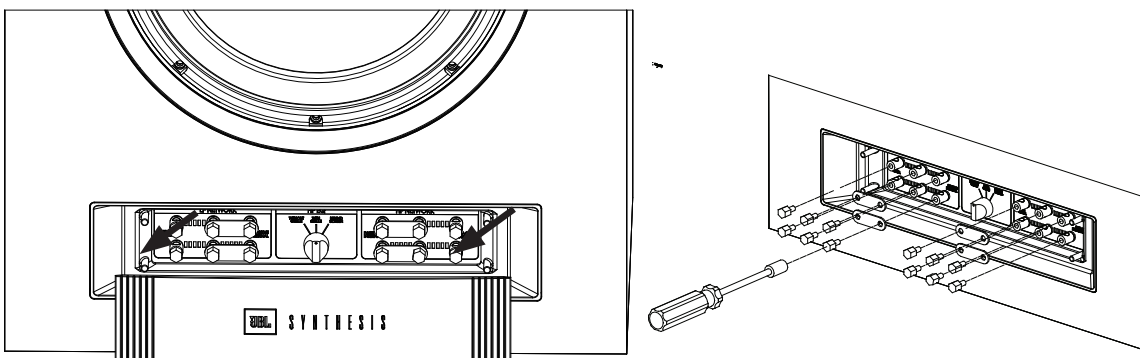
BRANCHEMENT POUR BICÂBLAGE ET BI-AMPLIFICATION (suite) :

Câblage pour bi-amplification

Un amplificateur et un système d'enceintes sont bi-amplifiés lorsqu'un canal d'un amplificateur est utilisé pour les hautes fréquences et qu'un canal d'un amplificateur est utilisé pour les basses fréquences. Une enceinte à 2 voies pourrait utiliser les deux canaux d'un amplificateur stéréo. La sélection des canaux d'amplification et des câbles les mieux adaptés aux différentes bandes passantes peut produire une amélioration sensible. Pour câbler la SCL-1 en bi-amplification, connectez les enceintes conformément à l'illustration suivante :



CONNEXIONS DES RÉSEAUX BF ET HF



Attention :

Pour éviter un mauvais contact électrique causé par des vis de pont de court-circuit desserrées, vérifiez que celles-ci sont bien serrées. Cependant, un serrage excessif risque d'endommager les bornes elles-mêmes. Veuillez serrer les vis avec un couple raisonnable, uniquement à la main.

RÉGLAGE PAR DÉFAUT AVEC CONNEXION DES RÉSEAUX BF ET HF INTÉGRÉS

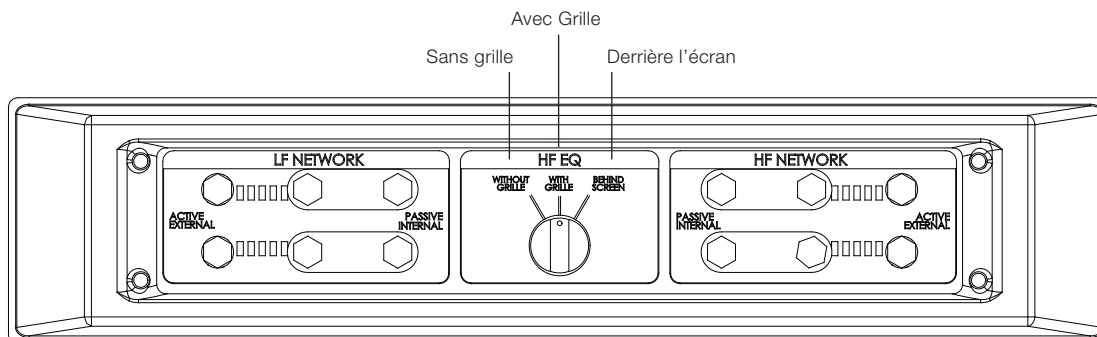


Figure 11

RÉGLAGE EN DÉRIVATION SANS CONNEXION DES RÉSEAUX BF ET HF INTÉGRÉS

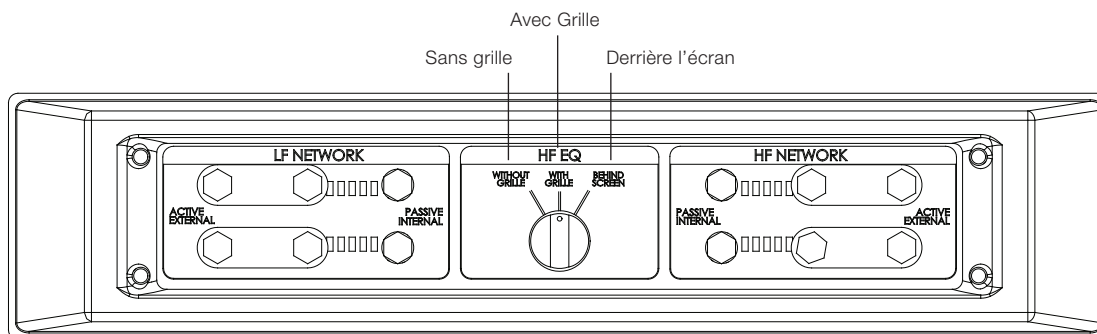


Figure 12

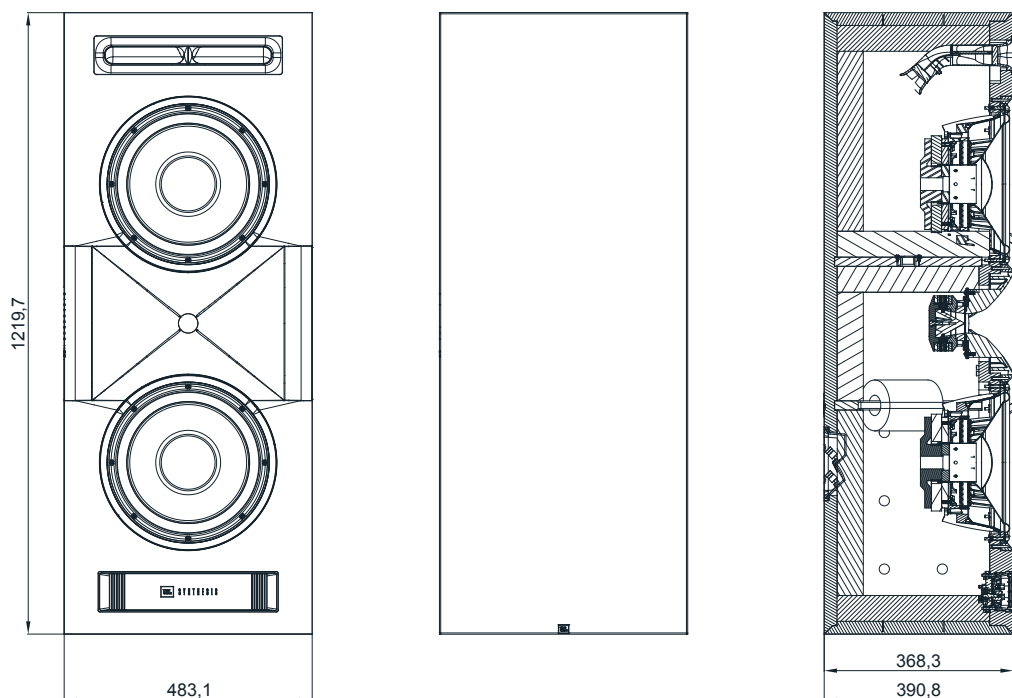
ENTRETIEN DE VOS ENCEINTES

- Essuyer le caisson avec un chiffon propre et sec pour retirer la poussière. Un chiffon humide peut ternir la finition de l'enceinte. Ne pas utiliser de liquides volatils tels que du benzène, du diluant pour peinture ou de l'alcool sur l'enceinte.
- Ne pulvériser pas d'insecticide près de l'enceinte.
- Pour retirer la poussière du tissu de la grille, utilisez un aspirateur réglé sur une faible puissance.
- Ne lavez pas les grilles dans l'eau, cela pourrait les décolorer ou les dépareiller.
- Si les surfaces des cônes des haut-parleurs basses fréquences deviennent poussiéreuses, vous pouvez les brosser avec précaution avec un pinceau de calligraphie ou de peinture doux et sec. Ne pas utiliser de chiffon humide.

SPÉCIFICATIONS

Type de haut-parleur	Enceinte d' intérieur 2 voies
Taille et matériau du haut-parleur basses fréquences	Deux haut-parleurs basses fréquences à structure moulée et cône en composite de cellulose de noir de carbone (C4) de 300 mm (12 po.)
Taille et matériau du haut-parleur hautes fréquences	Haut-parleur à compression annulaire à diaphragme annulaire Teonex® de 75 mm (3") avec une double structure de moteur en néodyme couplée à un pavillon d'imagerie haute définition (HDI™)
Puissance d'amplificateur recommandée, bande passante complète	500 WRMS, minimum
Puissance d'amplificateur recommandée, croisement à 80 Hz	500 WRMS, minimum
Impédance nominale	4 Ohms
Sensibilité de l'enceinte	94 dB / 2,83 V / 1 m
Réponse en fréquence	40 Hz - 24 kHz (-6 dB), atténuation BF de 3ème ordre
Fréquence de croisement	775 Hz
Zone de couverture, -6 dB à 10 kHz	Environ 120 degrés horizontaux x 100 degrés verticaux
Zone de couverture, -6 dB à 20 kHz	Environ 90 degrés horizontaux x 70 degrés verticaux
Type de caisson	Système complémentaire d'alignement des graves (CBAS™, Bass Alignment System)
Commandes	3 positions - Sans grille, avec grille ou derrière l' écran
Type d' entrée	Deux jeux de bornes à ressorts plaquées or
Dimensions du produit (avec sa grille)	1219,7 mm H x 483,1 mm L x 390,8 mm P (48,02" x 19,02" x 15,4")
Poids du produit (avec sa grille)	80,5 kg (177,5 lb)
Finitions	Vinyl noir

DIMENSIONS



WICHTIGE SICHERHEITSINFORMATIONEN

1. Lies diese Anweisungen.
2. Bewahre diese Bedienungsanleitung auf.
3. Beachte alle Warnungen.
4. Befolge alle Anweisungen.
5. Reinige es ausschließlich mit einem trockenen Tuch.
6. Achte darauf, die Belüftungsschlitze nicht zu blockieren. Installiere dieses Gerät gemäß den Anweisungen des Herstellers.
7. Stelle das Gerät nicht in der Nähe von Wärmequellen wie Heizkörpern, Wärmespeichern, Öfen oder anderen Geräten (einschließlich Verstärkern) auf, die Wärme erzeugen.
8. Verwende nur Zubehörteile, die vom Hersteller angegeben wurden.
9. Verwende das Produkt nur mit Wagen, Ständer, Stativ, Halterung oder Tisch, die vom Hersteller angegeben oder mit dem Gerät mitgeliefert wurden. Bei der Verwendung eines Wagens ist beim Bewegen des Wagens/Geräts vorsichtig vorzugehen, um Verletzungen oder ein Umkippen zu vermeiden.
10. Überlasse Wartungsarbeiten qualifizierten Kundendienst-Mitarbeitern. Eine Wartung ist erforderlich, wenn das Gerät in irgendeiner Weise beschädigt wurde, falls zum Beispiel das Stromversorgungskabel oder der Stecker beschädigt ist, Flüssigkeit verschüttet wurde oder Gegenstände in das Gerät gefallen sind, das Gerät Regen oder Feuchtigkeit ausgesetzt wurde, nicht ordnungsgemäß funktioniert oder heruntergefallen ist.



Korrekte Entsorgung dieses Produkts (Elektro- und Elektronik-Altgeräte)

Dieses Symbol bedeutet, dass das Produkt nicht als Hausmüll entsorgt werden darf und zum Recycling an eine geeignete Sammelstelle geliefert werden muss. Die ordnungsgemäße Entsorgung und Wiederverwertung trägt zum Schutz der natürlichen Ressourcen, der menschlichen Gesundheit und der Umwelt bei. Weitere Informationen zur Entsorgung und zum Recycling dieses Produkts kannst du bei deiner örtlichen Stadtverwaltung, beim Entsorgungsdienst oder in dem Geschäft, in dem du dieses Produkt gekauft hast, erhalten.



RoHS

Dieses Produkt ist RoHS-konform. Dieses Produkt erfüllt die Richtlinie 2011/65/EU und ihrer Änderungen über die Beschränkung der Verwendung bestimmter gefährlicher Stoffe in Elektro- und Elektronik-Altgeräten.

REACH

REACH (Richtlinie Nr. 1907/2006) befasst sich mit der Produktion und Verwendung chemischer Stoffe und deren mögliche Auswirkungen auf die menschliche Gesundheit und die Umwelt. Artikel 33(1) der REACH-Richtlinie fordert von Lieferanten, die Empfänger zu informieren, falls ein Artikel über 0,1% Massenprozent (w/w) eines Stoffes oder beliebiger Stoffe von der Kandidatenliste für besonders besorgniserregende Stoffe (SVHC) („REACH-Kandidatenliste“) enthält. Dieses Produkt enthält den Stoff „Blei“ (CAS-Nr. 7439-92-1) in einer Konzentration von über 0,1 % im Verhältnis zum Gesamtgewicht.

Zum Zeitpunkt der Markteinführung dieses Produkts sind, außer dem Stoff Blei, keine anderen Stoffe der REACH-Kandidatenliste in einer Konzentration von über 0,1 Massenprozent (Gew.-%) in diesem Produkt enthalten.

Hinweis: Am 27. Juni 2018 wurde Blei zur REACH-Kandidatenliste hinzugefügt. Die Aufnahme von Blei in die REACH-Kandidatenliste bedeutet nicht, dass bleihaltige Materialien ein direktes Risiko darstellen oder zu einer Einschränkung der Zulässigkeit seiner Verwendung führen.

INHALT

VIELEN DANK FÜR DEN KAUF EINES JBL®-PRODUKTS	23
LIEFERUMFANG	23
PLATZIERUNG DER LAUTSPRECHER	24
LINKER UND RECHTER LAUTSPRECHER	24
MITTELKANAL-LAUTSPRECHER	24
5.1-KANAL-SYSTEME	26
7.1-KANAL-SYSTEME	26
ALLGEMEINE INSTALLATIONSHINWEISE	27
ANSCHLUSS DER LAUTSPRECHER AN VERSTÄRKER	27
VORBEREITUNG DER ANSCHLUSSKABEL	27
DOPPEL-KABEL- ODER DOPPEL-VERSTÄRKER-OPTIONEN	28
LF- und HF-NETZWERKANSCHLÜSSE	29
Standardeinstellung mit integrierte LF- und HF-Netzwerkanschluss	29
Bypass-Einstellung ohne integrierte LF- und HF-Netzwerkverbindung	30
KORREKTE PFLEGE DER LAUTSPRECHER	30
TECHNISCHE DATEN	31
ABMESSUNGEN	31

VIELEN DANK FÜR DEN KAUF EINES JBL®-PRODUKTS

Seit mehr als 70 Jahren wirkt JBL an allen Aspekten der Aufzeichnung und Reproduktion von Musik- und Filminhalten mit: von Live-Auftritten bis zur Überwachung von wiedergegebenen Aufnahmen zu Hause, im Fahrzeug oder im Büro.

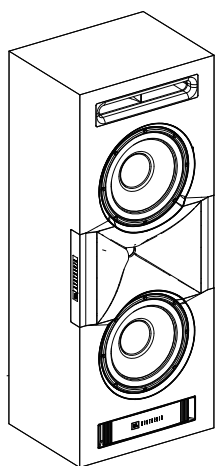
Wir sind überzeugt davon, dass der JBL Synthesis Lautsprecher alle Ihre Erwartungen erfüllen wird und dass Sie sich auch bei künftigen Käufen von weiteren Audiogeräten für Ihr Heim, Auto oder Ihr Büro immer wieder für die JBL-Produkte entscheiden werden.

Bitte nehmen Sie sich einen Moment Zeit, um Ihr Gerät auf unserer Website unter www.jblsynthesis.com zu registrieren.

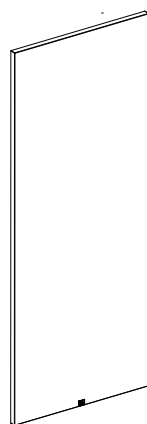
So können wir Sie über unsere neuesten Entwicklungen informieren und mit Ihrer Unterstützung Produkte gestalten, die besser zu Ihren Bedürfnissen und Erwartungen passen.

Alle Funktionen und Spezifikationen können ohne vorherige Ankündigung geändert werden.

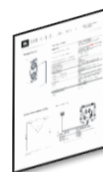
LIEFERUMFANG



1x SCL-1



1x Gitter



1x Kurzanleitung

Falls Sie vermuten, dass Transportschäden aufgetreten sind, melden Sie dies bitte umgehend Ihrem Händler. Wir empfehlen, die Verpackungsmaterialien für den Transport für zukünftige Zwecke aufzubewahren.

PLATZIERUNG DER LAUTSPRECHER

Die korrekte Positionierung Ihrer Lautsprecher ist entscheidend für die beste akustische Leistung einer Heim-Entertainment-Anlage. Bitte lesen Sie die Anweisungen im folgenden Abschnitt für die korrekte und optimale Platzierung.

LINKER UND RECHTER LAUTSPRECHER

Der SCL-1 ist die perfekte Wahl als vorderer linker und rechter Hauptlautsprecher in einem Mehrkanal-System. Da die Lautsprecher für eine gleichmäßige Abdeckung und maximale Klangstreuung konzipiert wurden, sollten sie so platziert werden, dass die Mitte der Lautsprecher sich in etwa auf der gleichen Höhe mit den Schauspielern auf dem TV-Bildschirm befinden, um den Eindruck aufrechtzuerhalten, dass die Stimmen der Schauspieler direkt aus ihrem Mund kommen. Idealerweise werden die Lautsprecher ca. 60 Grad von der Hörposition aus gesehen voneinander entfernt platziert, sodass der Abstand zwischen den Lautsprechern identisch mit dem Abstand der einzelnen Lautsprecher vom Zuhörer ist (Abbildung 1).

Die empfohlene Montage des SCL-1 ist senkrecht, mit der Öffnung nach oben. (Abbildung 2).

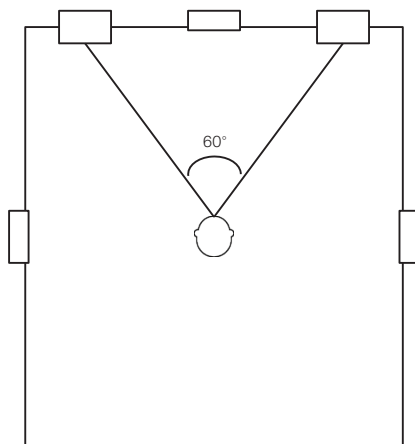


Abbildung 1

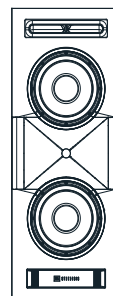


Abbildung 2

MITTELKANAL-LAUTSPRECHER

Der SCL-1 kann entweder vertikal oder horizontal ausgerichtet werden, wenn er als Mittelkanal-Lautsprecher verwendet wird. Falls der Lautsprecher zusammen mit einer perforierten Projektionsleinwand verwendet wird, sollte er hinter der Mitte der Leinwand und mit der horizontalen Mittelachse so nahe wie möglich an der Mittelachse der linken und rechten Lautsprecher ausgerichtet werden (Abbildung 3).

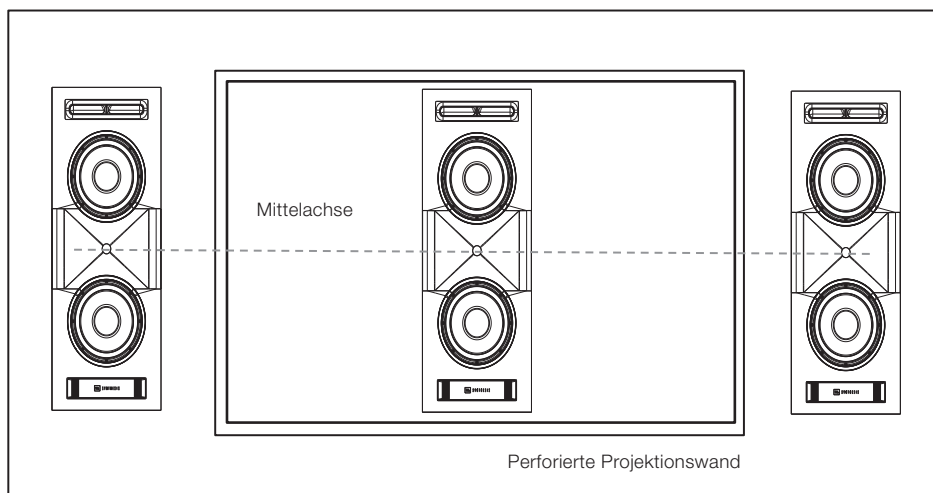


Abbildung 3

HINWEIS: Einige perforierte Projektionsleinwände besitzen einen Hohlprofilstab oder eine Querstrebe, der/die über dem Leinwandrahmen zentriert befestigt ist (Abbildung 4). Stellen Sie in solchen Fällen sicher, dass der Stab bzw. die Strebe nicht den Trichter blockieren. Positionieren Sie vertikal ausgerichtete Lautsprecher so, dass der Stab bzw. die Strebe vor den Lautsprechern am Rand des Trichters verlaufen, der am nächsten am zentralen Tieftöner liegt.

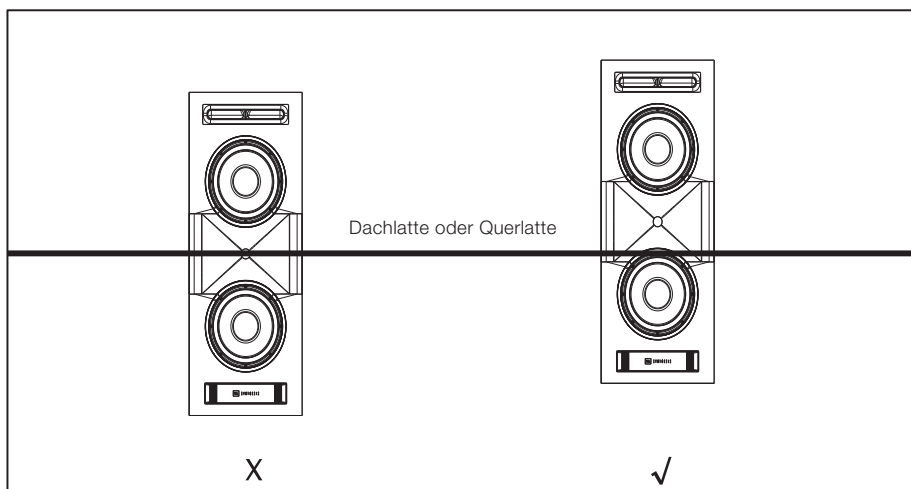


Abbildung 4

Falls eine nicht-perforierte Projektionsleinwand, d.h. ein LCD/Plasma/OLED-Display verwendet wird, sollte der SLC-1 direkt unter oder über und so nah wie möglich am Video-Display in horizontaler Ausrichtung montiert werden (Abbildung 5).

HINWEIS: Es ist äußerst wichtig, den mittleren, den linken und den rechten Lautsprecher möglichst alle auf derselben Höhe zu montieren. Der Trichter des Mittelkanal-Lautsprechers darf nicht mehr als 61 cm über oder unter den Trichtern der linken und rechten Lautsprecher liegen. Dies bewahrt die genaue Standorttreue des „Tonschwenkbereichs“, in dem der Ton sich von links zur Mitte nach rechts zu bewegen scheint. Falls der Videoinhalt sich auch scheinbar nach oben und unten bewegt, kann dies die Illusion lebensechter Panning- bzw. Schwenkeffekte zerstören. Zur Abmilderung des Höhenunterschieds zwischen dem Mittel-Lautsprecher sollten die linken und rechten Lautsprecher leicht abgesenkt werden. (Abbildung 5).

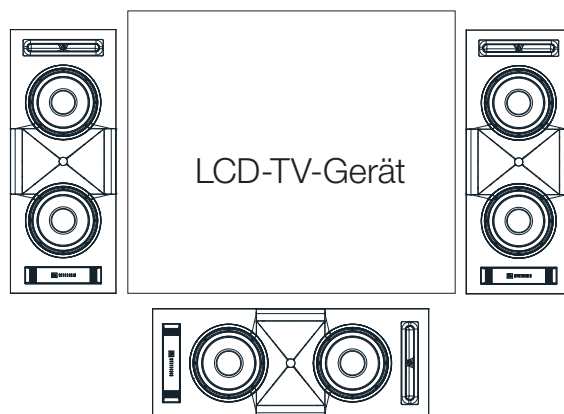


Abbildung 5

5.1-KANAL-SYSTEME

Surround-Lautsprecher sollten mindestens auf der Höhe der ersten Zuschauerstuhreihe in den Seitenwänden montiert werden. Falls es zwei Stuhlreihen gibt, sollten diese Lautsprecher auf der Höhe zwischen den beiden Reihen angebracht werden. Surround-Lautsprecher sollten über dem Sitzbereich und mindestens 61 cm über der Ohrhöhe von Sitzenden positioniert werden (Abbildung 6).

Hinweise:

Bitte fragen Sie Ihren autorisierten JBL Synthesis-Händler nach den Produktoptionen für Surround-Lautsprecher

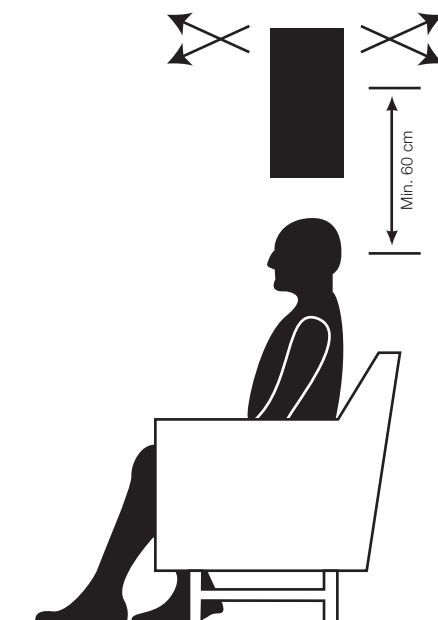


Abbildung 6

7.1-KANAL-SYSTEME

In einem 7.1-Kanal-System gibt es zwei zusätzliche Lautsprecher für den hinteren Bereich, zusätzlich zu den Surround-Lautsprechern des 5.1-Kanal-Systems. Die beiden zusätzlichen Lautsprecher werden auf oder an der Rückwand platziert, wenn sie in einem Raum verwendet werden. (Abbildung 7).

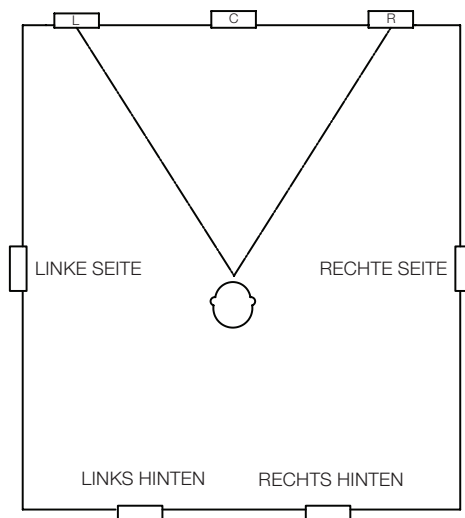


Abbildung 7

ALLGEMEINE INSTALLATIONSHINWEISE

1. Identifizieren Sie alle Kabelverbindungen zur rückseitigen Box und zum Schallwandnetz.
2. Wählen Sie vor der Installation eine der Optionen für die Verkabelung (Einzelkabel, Doppelkabel, Doppel-Verstärker).

ANSCHLUSS DER LAUTSPRECHER AN VERSTÄRKER

Verbinden Sie die Synthesis SCL-1 Lautsprecher mit der/den Endstufe(n) oder dem Receiver mit dem 2-adrigen, isolierten Lautsprecherkabel.

KABELLÄNGE	EMPFOHLENER QUERSCHNITT
Bis zu 6 m.	2 mm ²
Bis zu 9 m	3,5 mm ²
Über 9 m.	5 mm ²

Die federvorgespannten Verbindungsklemmen des SCL-1 nehmen Kabellitzenstärken bis zu 5 mm² auf.

VORBEREITUNG DER ANSCHLUSSKABEL

1. Ermitteln Sie den Abstand zwischen dem Verstärker und dem am weitesten entfernten Lautsprecher in jeder Gruppe (Front-, Surround-, hintere Surround-Lautsprecher).
2. Bereiten Sie die Anschlusskabel für alle Lautsprecher in einer Gruppe mit gleicher Länge vor, selbst wenn ein Lautsprecher viel näher an Ihrem Verstärker liegt als der am weitesten entfernte, um einen korrekten Kanalabgleich aufrechtzuerhalten. Beachten Sie, dass zusätzliche Kabel für Doppel-Verstärker- oder Doppel-Kabel-Verbindungen erforderlich sind, falls Sie eine dieser Methoden gewählt haben.
3. Führen Sie die Kabel durch die Wände an die Montagepositionen.
4. Isolieren Sie die Kabel ca. 9 mm lang an beiden Enden des Leiters ab und verdrehen Sie die Litzen zu einer fest verdrehten Spirale.
5. Die Lautsprecher und die Geräteanschlussklemmen besitzen entsprechende positive (+) und negative (-) Klemmen. Die meisten Lautsprecherhersteller einschließlich JBL Inc. verwenden Rot, um den (+)-Anschluss zu kennzeichnen, und Schwarz für den (-)-Anschluss. Bitte überprüfen Sie dies vor dem Anschließen.

Es ist wichtig, dass alle Lautsprecher gleich angeschlossen werden: (+) am Lautsprecher zu (+) am Verstärker und (-) am Lautsprecher zu (-) am Verstärker. Falls einer der Lautsprecher "außer Phase" (+ zu - bzw. - zu +) mit den anderen Lautsprechern im System verbunden wird, ergibt dies einen schwachen Klang, schwache Bässe und einen schlechten Surround-Klangeffekt.

Suchen Sie nach dem sichtbaren Unterschied zwischen den beiden Leitern des Lautsprecherkabelpaars. Unterscheidungsmerkmale können eine andere Litzenfarbe (Kupfer oder Silber); ein Garnstrang in einem Leiter; dünne, erhöhte Rippen auf einen Teil der äußeren Isolierung oder eine aufgedruckte Markierung auf einem Teil der äußeren Isolierung sein. Dabei ist es egal, welche der beiden Kabeladern an (+) und (-) des Lautsprechers und Verstärkers angeschlossen werden, solange alle Lautsprecher identisch angeschlossen werden, Plus (+) an Plus (+), Minus (-) an Minus (-) (Abbildung 8).

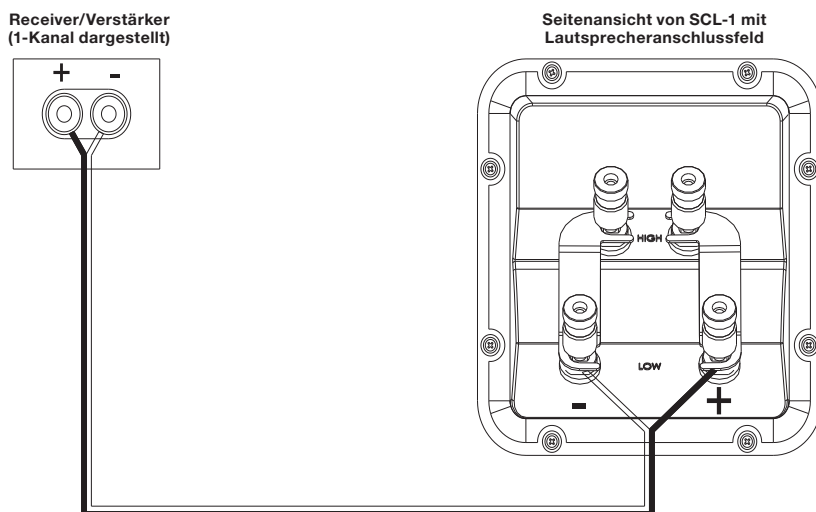


Abbildung 8

DOPPEL-KABEL- ODER DOPPEL-VERSTÄRKER-OPTIONEN

Der SCL-1 hat zwei Anschlusssets für einen Doppel-Kabel- oder Doppel-Verstärker-Betrieb.

1. Schneiden Sie zwei Adernpaare für jeden doppelt-verkabelten Lautsprecher zu.
2. Markieren Sie die beide Enden der Adernpaare für niedrige Frequenz mit „LF“, und die beiden Enden der Adernpaare für hohe Frequenz mit „HF“. Führen Sie dann die beiden Kabelsätze zu der Montageposition.
3. Schließen Sie das mit „HF“ gekennzeichnete Paar an den „HF“-Eingang des Lautsprechers und das mit „LF“ gekennzeichnete Paar an den „LF“-Eingang an. (Abbildung 9)
4. Entfernen Sie vor der Installation des Lautsprechers, der doppelt-verkabelt (bi-wired) oder mit Doppel-Verstärker (bi-amplified) eingerichtet wird, die beiden vergoldeten Überbrückungsbänder an der Anschlussklemme, indem Sie die Klemmen lösen. Bewahren Sie die Überbrückungsbänder für den späteren Gebrauch sicher auf. Achten Sie darauf, dass die Klemmen an den LF- und HF-Kabeln fest angezogen sind. (Abbildung 9)
5. Installieren Sie dann die rückseitige Box und die Lautsprecher gemäß den Anweisungen an anderer Stelle in dieser Anleitung.

ACHTUNG: Schließen Sie den Lautsprecher im Bi-Wire-Betrieb nicht mit den angebrachten Überbrückungsbändern an Ihren Lautsprecher an. Schwere Schäden am Verstärker, Personenschäden oder Schäden an anderem Eigentum können die Folge sein.

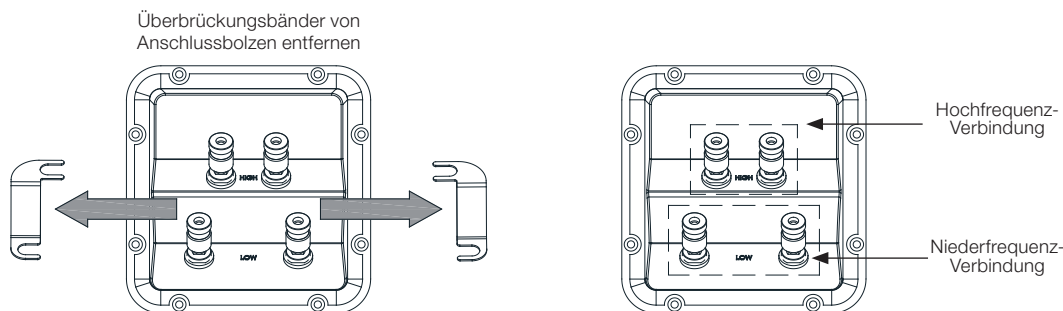


Abbildung 9

Doppel-Verkabelung (Bi-Wiring)

Ein Verstärker und ein Lautsprechersystem sind doppelt verkabelt, wenn die Hochfrequenz- und Niederfrequenzeingänge des Lautsprechers über zwei unterschiedliche Kabel vom selben Verstärkerkanal angesteuert werden. Für die Verbindungen werden in der Regel verschiedene Kabeltypen verwendet: Für niedrige Frequenzen wird in der Regel ein Kabel mit hoher Strombelastbarkeit oder ein Kabel, das für den Benutzer im Bassbereich besser klingt, und für hohe Frequenzen ein Kabel mit niedriger Induktivität oder ein Kabel verwendet, das für den Benutzer im Hochtonbereich besser klingt. Beide Kabel sind an denselben Verstärkerkanal angeschlossen. Einige berichten von mäßigen Verbesserungen bei dieser Verkabelungsart.

Schließen Sie zum Verkabeln des SCL-1 den Lautsprecher gemäß der folgenden Abbildung an:

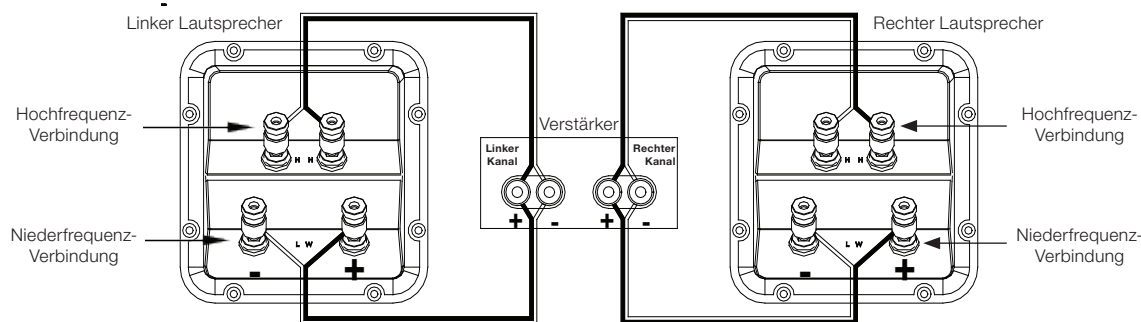
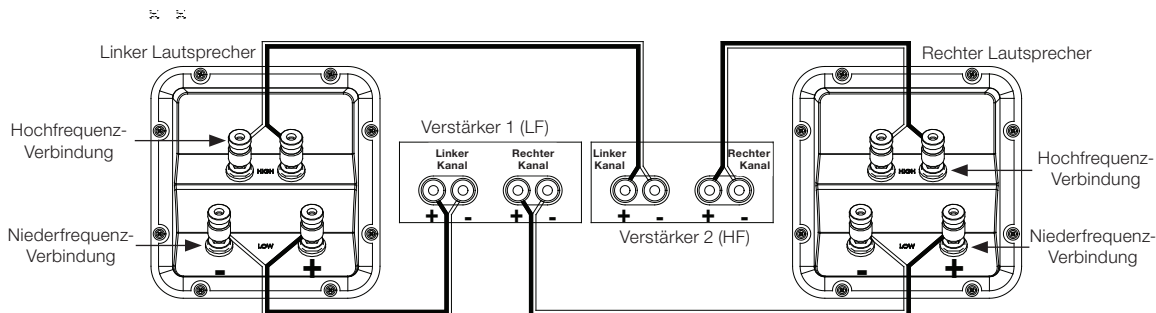


Abbildung 10

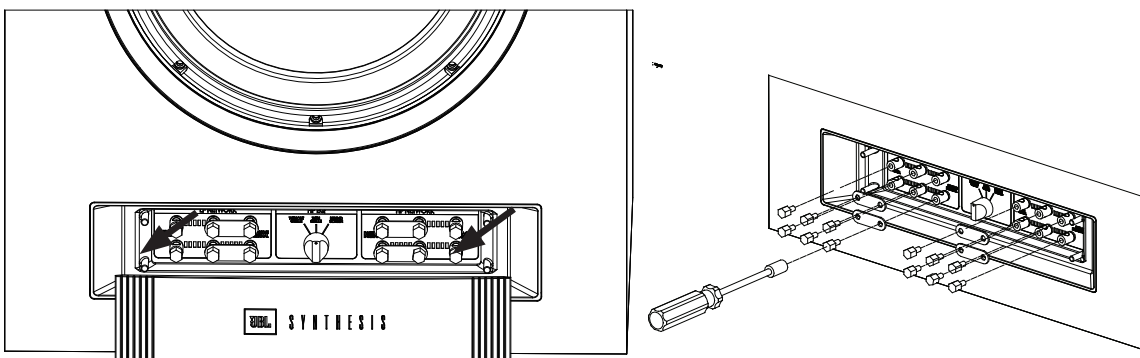
DOPPEL-KABEL- UND DOPPEL-VERSTÄRKER-VERBINDUNG (Forts.):

Doppel-Verstärker-Verkabelung

Ein Verstärker und ein Lautsprechersystem werden zweifach verstärkt, wenn ein Kanal eines Verstärkers für hohe Frequenzen und ein Kanal eines Verstärkers für tiefe Frequenzen verwendet wird. Ein 2-Wege-Lautsprecher könnte so beide Kanäle eines Stereoverstärkers nutzen. Die Auswahl von Verstärkerkanälen und -leitungen, die für unterschiedliche Bandbreiten besser geeignet sind, kann eine deutliche Verbesserung bewirken. Schließen Sie zum Verkabeln des SCL-1 für den Doppel-Verstärkerbetrieb die Lautsprecher gemäß der folgenden Abbildung an.



LF- UND HF-NETZWERKANSCHLÜSSE



Achtung:
 Stellen Sie zur Vermeidung eines schlechten elektrischen Kontakt durch lose Befestigungsschrauben der Kurzschlusschiene sicher, dass die Schrauben fest sitzen. Wenn Sie diese jedoch zu fest anziehen, besteht die Gefahr, dass die Klemmen selbst beschädigt werden. Ziehen Sie Schrauben nur mit einem angemessenen Drehmoment von Hand an.

Standardeinstellung mit integrierte LF- und HF-Netzwerkanschluss

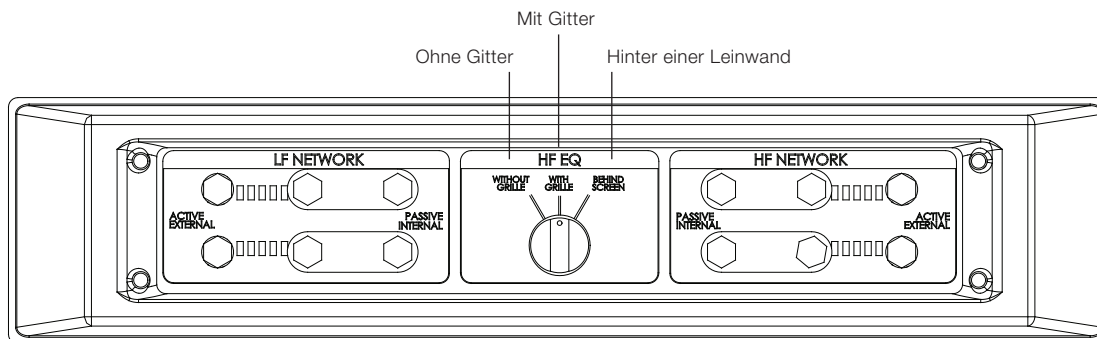


Abbildung 11

Bypass-Einstellung ohne integrierte LF- und HF-Netzwerkverbindung

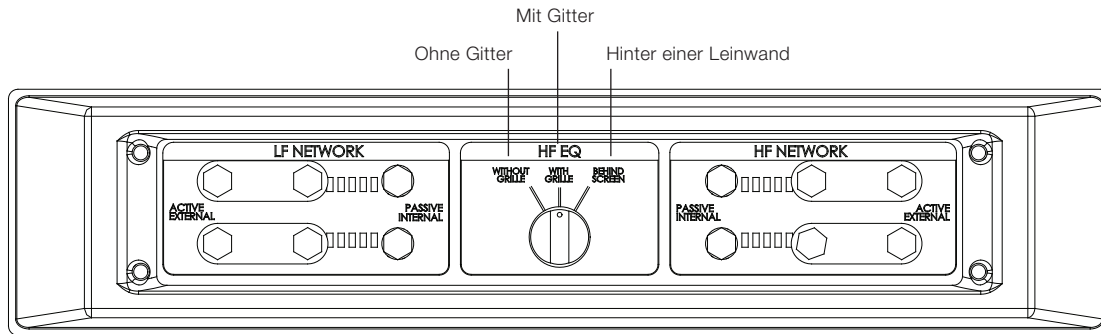


Abbildung 12

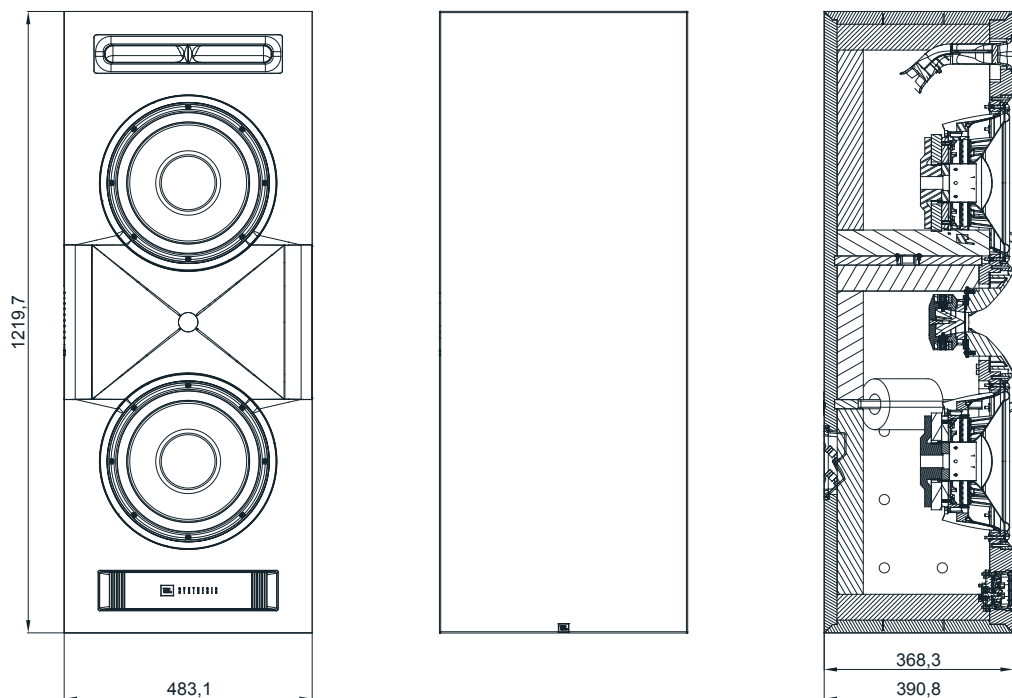
KORREKTE PFLEGE DER LAUTSPRECHER

- Entfernen Sie den Staub von dem Gehäuse mit einem sauberen, trockenen Tuch. Durch ein feuchtes Tuch kann die Oberfläche des Gehäuses matt werden. Reinigen Sie das Gehäuse nicht mit flüchtigen Flüssigkeiten, wie beispielsweise Benzol, Farbverdünnern oder Alkohol.
- Versprühen Sie keine Chemikalien in der Nähe des Gehäuses.
- Reinigen Sie die Stoffbespannung des Frontgitters mit einem Staubsauger auf niedriger Saugstärke.
- Waschen Sie das Frontgitter nicht mit Wasser, da dadurch die Farben verblassen können oder das Gitter aufgeraut werden kann.
- Wenn die Oberflächen der Tieftöner-Konen staubig sind, können sie vorsichtig mit einem weichen, trockenen Kalligraphie- oder Malerpinsel gereinigt werden. Verwenden Sie kein feuchtes Tuch.

TECHNISCHE DATEN

Lautsprechertyp	2-Wege-Raumlautsprecher
Tieftöner-Treibergröße und -material	Zwei 12-Zoll (300 mm) schwarze Tieftöner mit Carbon-Zellulose-Komposit-Konen (C4) und Gussrahmen
Hochtöner-Treibergröße und -material	3" (75 mm) dualer ringförmiger Teonex®-Ringmembran-Kompressionstreiber mit dualen Neodym-Motorstrukturen, gepaart mit High-Definition Imaging (HDITM)-Trichter
Empfohlene Verstärkerleistung, volle Bandbreite	500 WRMS, mindestens
Empfohlene Verstärkerleistung, 80 Hz Frequenzweiche	500 WRMS, mindestens
Nennimpedanz	4 Ohms
Lautsprecher-Empfindlichkeit	94 dB/2,83 V/1 m
Frequenzgang	40 Hz - 24 kHz (-6 dB), LF-Absenkung des 3. Grads
Frequenzweichenfrequenz	775 Hz
Empfangsbereich, -6 dB bei 10 kHz	Ungefähr 120 Grad horizontal x 100 Grad vertikal
Empfangsbereich, -6 dB bei 20 kHz	Ungefähr 90 Grad horizontal x 70 Grad vertikal
Gehäusertyp:	Komplementäres Bassausrichtungssystem (CBASTM)
Bedienelemente	3 Positionen - ohne Gitter, mit Gitter oder hinter einem Netz
Eingangstyp	Zwei Sätze vergoldeter, gefederter Polklemmen
Produktabmessungen (mit Gitter)	48,02" H x 19,02" B x 15,4" T (1219,7 mm H x 483,1 mm B x 390,8 mm T)
Produktgewicht (mit Gitter)	177,5 lb. (80,5 kg)
Ausführungen:	Schwarzes Vinyl

ABMESSUNGEN



INSTRUCCIONES IMPORTANTES DE SEGURIDAD

1. Lee estas instrucciones.
2. Conserva estas instrucciones.
3. Obedece todas las advertencias.
4. Sigue todas las instrucciones.
5. Limpiar solo con un paño seco.
6. No bloquee ninguna abertura de ventilación. Instala este aparato conforme a las instrucciones del fabricante.
7. No lo instales cerca de ninguna fuente de calor, como radiadores, registros de calefacción, estufas u otros aparatos (incluidos los amplificadores) que generen calor.
8. Utiliza solo los herrajes o accesorios especificados por el fabricante.
9. Utiliza solo el carrito, el soporte, el trípode o la mesa especificados por el fabricante o vendidos con el aparato. Si utilizas un carrito, ten cuidado al desplazar la combinación del carro con el aparato con el fin de evitar lesiones a causa de un posible vuelco.
10. Deja todas las tareas de reparación o mantenimiento en manos de personal cualificado de servicio. El aparato necesita reparación cuando se daña de cualquier modo, como si el cable de alimentación o el enchufe están dañados, se ha vertido líquido o han caído objetos dentro del aparato o el aparato ha estado expuesto a la lluvia o la humedad, no funciona correctamente o ha caído.



Eliminación correcta del producto (Residuo de aparatos eléctricos y electrónicos)

Este símbolo significa que no se debe desechar el producto como residuo doméstico sin clasificar y que se debe llevar a un centro adecuado de recogida para su reciclaje. La eliminación y el reciclaje correctos ayudan a proteger los recursos naturales, la salud humana y el medio ambiente. Para obtener más información sobre la eliminación y el reciclaje de este producto, ponte en contacto con su municipio o servicio de recogida, o con la tienda donde adquiriste el producto.



RoHS

Este producto cumple con las disposiciones de RoHS. Este equipo cumple con la Directiva 2011/65/UE y sus enmiendas, sobre la restricción del uso de determinadas sustancias peligrosas en equipos eléctricos y electrónicos.

REACH

REACH (reglamento n.º 1907/2006) aborda la producción y el uso de sustancias químicas y su posible impacto sobre la salud humana y el medio ambiente. El artículo 33(1) del reglamento REACH exige a los proveedores informar a los destinatarios de un artículo de que este contiene más del 0,1 % (en peso y por artículo) de cualquier sustancia que figure en la Lista de candidatas a sustancias extremadamente preocupantes (SEP) (la lista de sustancias candidatas de la REACH). Este producto contiene la sustancia "plomo" (N.º CAS: 7439-92-1) en una concentración superior al 0,1 % en peso.

En el momento de la comercialización de este producto, salvo el plomo, el producto no contiene otras sustancias de la lista de sustancias candidatas de la REACH en una concentración superior al 0,1 % en peso.

Nota: El 27 de junio de 2018 se incluyó el plomo a la lista de sustancias candidatas de la REACH. La inclusión del plomo en la lista de sustancias candidatas de la REACH no significa que los materiales que contienen plomo supongan un riesgo inmediato ni que se limite el permiso para utilizarlo.

CONTENIDO

GRACIAS POR ELEGIR JBL®	33
CONTENIDO DEL ENVASE	33
COLOCACIÓN DE LOS ALTAVOCES	34
ALTAVOCES IZQUIERDO Y DERECHO.....	34
ALTAVOZ DEL CANAL CENTRAL.....	34
SISTEMAS DE 5.1 CANALES	36
SISTEMAS DE 7.1 CANALES	36
NOTAS GENERALES SOBRE LA INSTALACIÓN	37
CONEXIÓN DE LOS ALTAVOCES A AMPLIFICACIÓN.....	37
PREPARAR EL CABLE DE INTERCONEXIÓN	37
OPCIONES DE BICABLEADO O BIAMPLIFICACIÓN.....	38
CONEXIONES DE RED DE LF Y HF.....	39
Configuración predeterminada con conexión de red de LF y HF integrada	39
Configuración en derivación sin conexión de red de LF y HF integrada.....	40
CUIDADO DE LOS ALTAVOCES	40
ESPECIFICACIONES	41
DIMENSIONES	41

GRACIAS POR ELEGIR JBL®

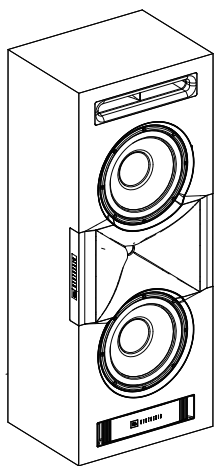
Durante más de 70 años, JBL se ha implicado en todos los aspectos de la grabación y reproducción de música y películas, desde conciertos en directo a las grabaciones que reproduces en tu hogar, vehículo u oficina.

Confiamos en que el altavoz JBL Synthesis que has elegido te proporcione todas las notas de diversión que esperas y que cuando pienses en comprar otros equipos de audio para tu hogar, automóvil u oficina vuelvas a elegir JBL una vez más.

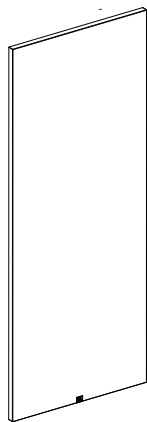
Dedica unos momentos a registrar el producto en nuestro sitio web en www.jblsynthesis.com. Esto nos permite mantenerte al corriente de nuestros avances más recientes y a conocer a nuestros clientes para desarrollar productos que cumplan sus necesidades y expectativas.

Todas las características y especificaciones están sujetas a cambios sin aviso previo.

CONTENIDO DEL ENVASE



1 SCL-1



1 Rejilla



1 Guía de inicio rápido

Si sospechas que se han producido daños durante el envío, informa de ello inmediatamente a su distribuidor. Te recomendamos que conserves la caja y los materiales de embalaje para usos futuros.

COLOCACIÓN DE LOS ALTAVOCES

La colocación correcta de los altavoces es crucial para lograr un buen rendimiento sonoro en un cine en casa. Lee la sección siguiente para encontrar orientación sobre la colocación correcta y óptima.

ALTAVOCES IZQUIERDO Y DERECHO

El SCL-1 es la opción idónea para usarla como altavoces izquierdo y derecho en un sistema multicanal. Puesto que están diseñados para lograr una cobertura uniforme y la máxima dispersión del sonido, se deben colocar con el centro de los altavoces aproximadamente a la misma altura que los actores en la pantalla para contribuir a la ilusión de que las voces de los actores procede directamente de sus imágenes en pantalla. Idealmente, los altavoces deben ir colocados a unos 60 grados de desviación entre ellos según se miran desde la posición de escucha, de modo que la distancia entre los altavoces sea la misma que entre cada altavoz y quien escucha (Figura 1).

El montaje recomendado del SCL-1 es vertical, con el puerto en la parte superior. (Figura 2)

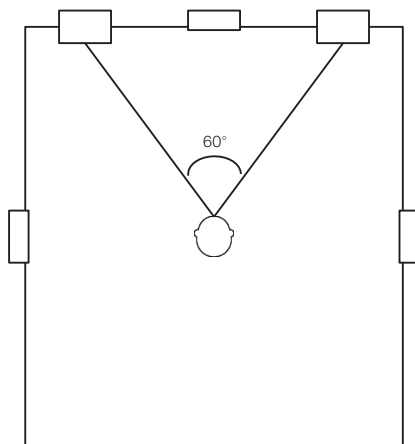


Figura 1

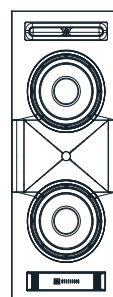


Figura 2

ALTAVOZ DEL CANAL CENTRAL

El SCL-1 puede ir orientado vertical u horizontalmente cuando se utiliza como altavoz de canal central. Si se utiliza con una pantalla de proyección perforada, se debería montar detrás del centro de la pantalla con el eje central horizontal tan alineado como sea posible con el eje central entre los altavoces de los canales izquierdo y derecho (Figura 3).

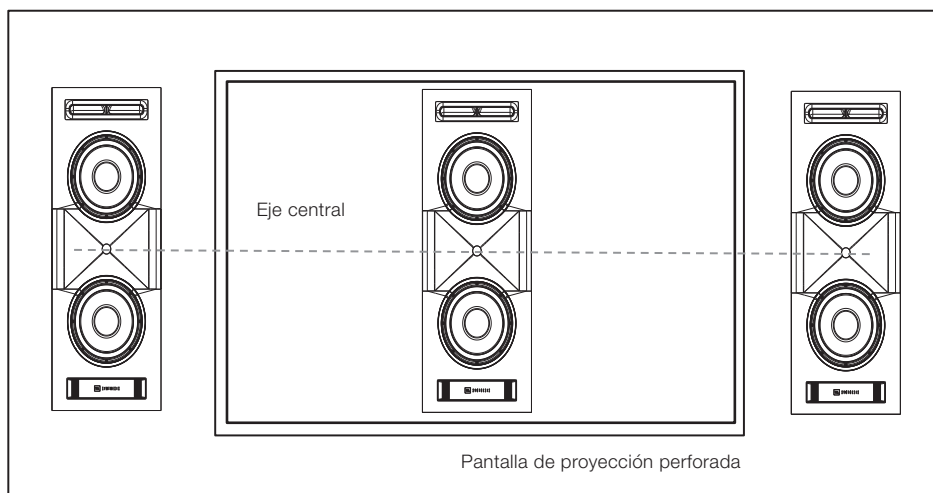


Figura 3

NOTA: Algunas pantallas de proyección perforadas tienen una barra o travesía a través del marco de la pantalla (Figura 4). En estos casos, asegúrate de que la barra no bloquee la bocina. Coloque los altavoces orientados verticalmente de modo que la barra pase por delante de ellos por el borde de la bocina más próxima al woofer central.

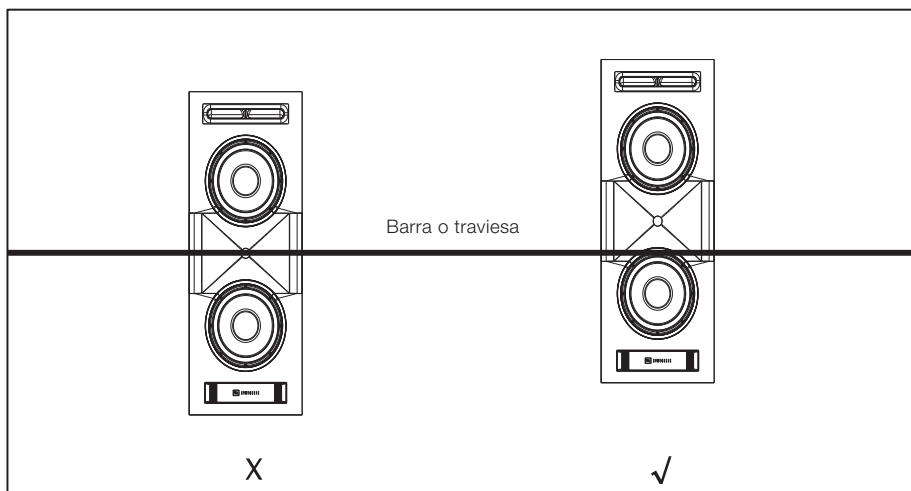


Figura 4

Si se utiliza una pantalla de proyección sin perforaciones, o una pantalla LCD/plasma/OLED, se puede utilizar el SLC-1 en orientación horizontal montado directamente encima o debajo de la pantalla de vídeo y lo más cerca posible de ella (Figura 5).

NOTA: Es sumamente importante colocar los altavoces central, izquierdo y derecho tan próximos entre sí como sea posible y a la misma altura. La bocina del altavoz del canal central no debería estar a más de 61 cm por encima ni por debajo de los altavoces izquierdo y derecho. Esto permite mantener la integridad de los desplazamientos de sonido, en los que el sonido parece moverse de la izquierda al centro y de ahí a la derecha. Si el material del programa también parece subir y bajar, puede destruir la ilusión de los efectos de desplazamiento realistas. Para mitigar la diferencia de altura entre el altavoz central y los de los canales izquierdo y derecho, es necesario bajar ligeramente estos. (Figura 5)

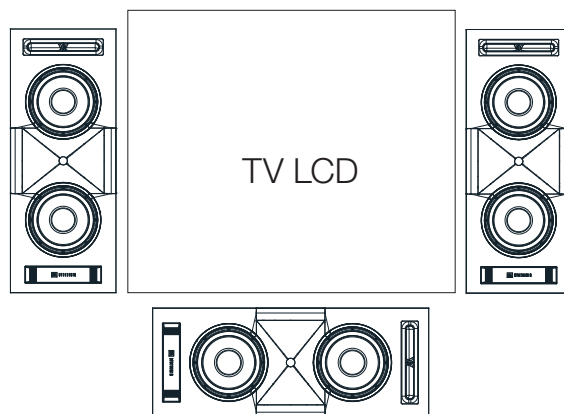


Figura 5

SISTEMAS DE 5.1 CANALES

Los altavoces envolventes deben estar ubicados en las paredes laterales, no más cerca de la pantalla que la primera fila de asientos. Si hay dos filas de asientos, es necesario colocar estos altavoces entre las dos filas. Los altavoces envolventes deben estar colocados por encima del área de asientos, al menos 61 cm por encima del nivel del oído de los oyentes sentados (Figura 6).

Notas:

Consulta las opciones de productos con tu distribuidor autorizado de JBL Synthesis.

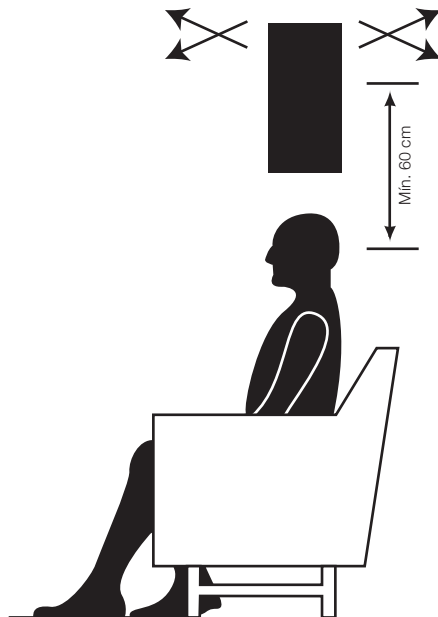


Figura 6

SISTEMAS DE 7.1 CANALES

En un sistema de 7.1 canales, se añaden dos altavoces para relleno en la parte trasera, además de los altavoces envolventes de un sistema de 5.1 canales. Los dos altavoces adicionales se colocan en la pared trasera o cerca de ella, si se utilizan dentro de una sala (Figura 7).

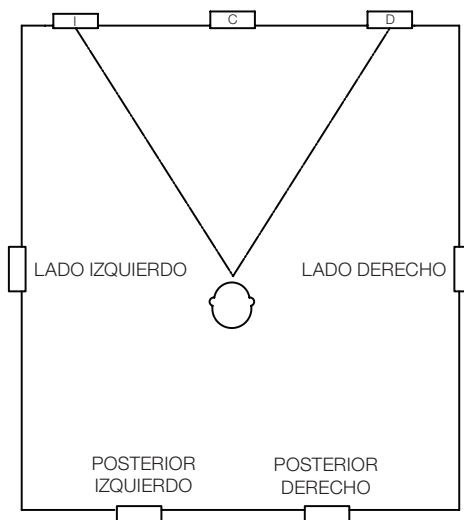


Figura 7

NOTAS GENERALES SOBRE LA INSTALACIÓN

1. Identifica todas las conexiones hacia la caja posterior y la red de sonodifusores.
2. Elige entre las opciones de cableado (monofilar, bifilar, biamplificado) antes de la instalación.

CONEXIÓN DE LOS ALTAVOCES A AMPLIFICACIÓN

Para conectar los altavoces Synthesis SCL-1 a amplificadores de potencia o a un receptor, utiliza cable para altavoces aislado con dos conductores.

LONGITUD DEL CABLE	TAMAÑO RECOMENDADO
Hasta 6 m.	Calibre 14
Hasta 9 m.	Calibre 12
Más de 9 m.	Calibre 10

Los postes de conexión con resorte del SCL-1 admiten hasta cables con hebras de 10 AWG.

PREPARAR EL CABLE DE INTERCONEXIÓN

1. Determina la distancia entre el amplificador y el altavoz más distante de cada grupo (delanteros, envolventes, envolventes posteriores).
2. Prepara los cables de interconexión para todos los altavoces de cada grupo con esta misma longitud, aunque uno de los altavoces esté mucho más cerca del amplificador que el más alejado, para mantener el equilibrio correcto en el canal. Recuerda preparar cables adicionales para biamplificación o bicableado, si optas por alguno de estos métodos.
3. Tiende los cables por las paredes hasta las posiciones de montaje.
4. Retira el aislante de 9,5 mm de cable a ambos extremos de cada conductor y retuerce cada juego de cables con hebras para que quede una espiral bien firme.
5. Los altavoces y la electrónica tienen terminales correspondientes positivos (+) y negativos (-). La mayoría de fabricantes de altavoces y electrónica, incluido JBL, Inc., utilizan el color rojo para indicar el terminal (+) y el color negro para el terminal (-). Compruébalo antes de realizar las conexiones.

Es importante conectar todos los altavoces exactamente del mismo modo: (+) del altavoz con (+) del amplificador y (-) del altavoz con (-) del amplificador. Si se conecta un altavoz "desfasado" (+ con - y - con +) respecto a los demás altavoces del sistema, se obtiene un sonido pobre, bajos débiles y una distribución espacial deficiente.

Busca si hay alguna diferencia visual entre los dos conductores de cada par de cables de altavoz. Las diferencias pueden ser cables de color distinto (de cobre o plateado), un hilo suelto en un conductor, refuerzos elevados en alguna parte del aislante exterior o una marca impresa en parte del aislante exterior. No importa cuál de los dos cables conectes a la toma (+) o (-) de los altavoces y los amplificadores, siempre que todos se conecten de forma idéntica, positivo (+) con positivo (+) y negativo (-) con negativo (-) (Figura 8).

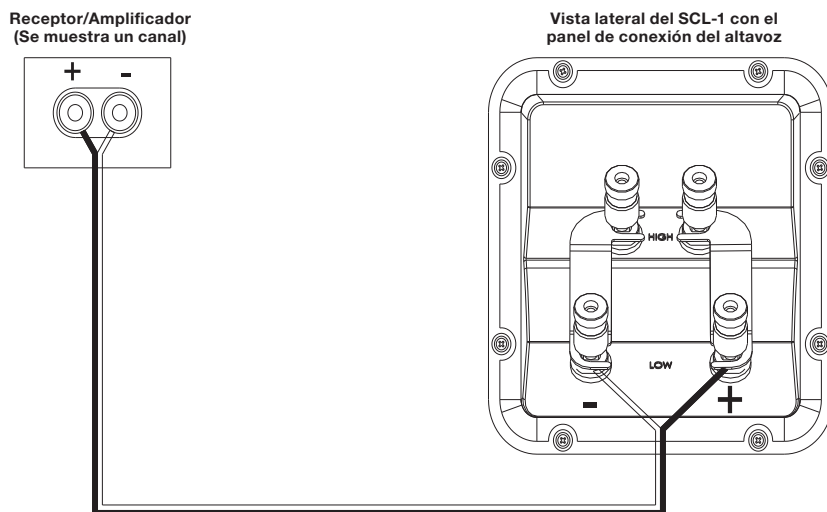


Figura 8

OPCIONES DE BICABLEADO O BIAMPLIFICACIÓN

El SCL-1 dispone de dos juegos de conectores para permitir el funcionamiento con bicableado o biamplificación.

1. Corta dos pares de cables para cada altavoz bicableado.
2. Marca ambos extremos de los pares de cables destinados a las bajas frecuencias con "LF" y ambos extremos de los pares de cables para altas frecuencias con "HF". A continuación, tiende ambos juegos de cables hacia la posición de montaje.
3. Conecta el par etiquetado como "HF" con la entrada "HF" del altavoz y el par etiquetado como "LF" con la entrada "LF" del altavoz (Figura 9).
4. Antes de instalar el altavoz que va a estar bicableado o biamplificado, quita las dos cintas chapadas en oro que puentean la copa de terminales aflojando los terminales. Guarda las cintas para usarlas en el futuro. Asegúrate de apretar los terminales de los cables LF y HF (Figura 9).
5. Instala la caja posterior y el altavoz conforme a las instrucciones de este manual.

PRECAUCIÓN: No conectes el altavoz bicableado con las cintas conectadas. Se pueden producir daños graves en el amplificador, lesiones personales y otros daños materiales.

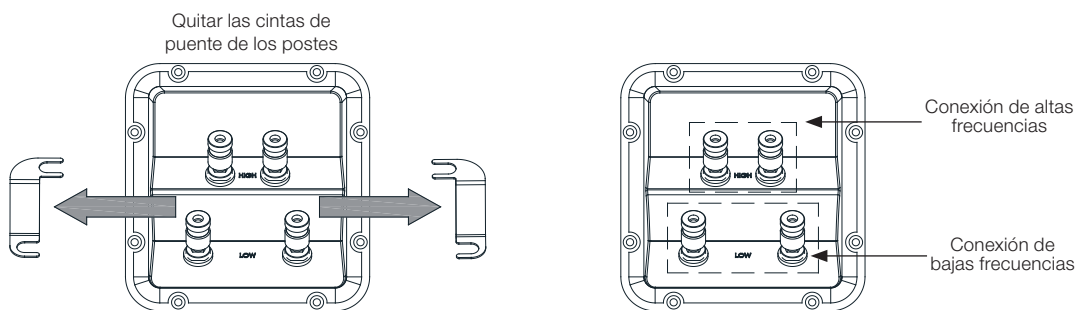


Figura 9

Bicableado

Un amplificador y un sistema de altavoces están bicableados cuando las entradas de altas frecuencias y de bajas frecuencias del altavoz se conectan con dos cables distintos procedentes de un mismo canal de amplificador. Por lo general, se utilizan distintos tipos de cables para las conexiones: para las bajas frecuencias, se utiliza un cable con capacidad para corrientes elevadas o un cable que dé lugar a un mejor sonido para los bajos; para las altas frecuencias, se utiliza un cable de baja inductancia o un cable que dé lugar a un mejor sonido para los agudos. Ambos cables se conectan a la misma salida del amplificador. Algunas personas consideran que este cableado conlleva una mejora moderada.

Para bicablear el SCL-1, conecta el altavoz según la ilustración siguiente:

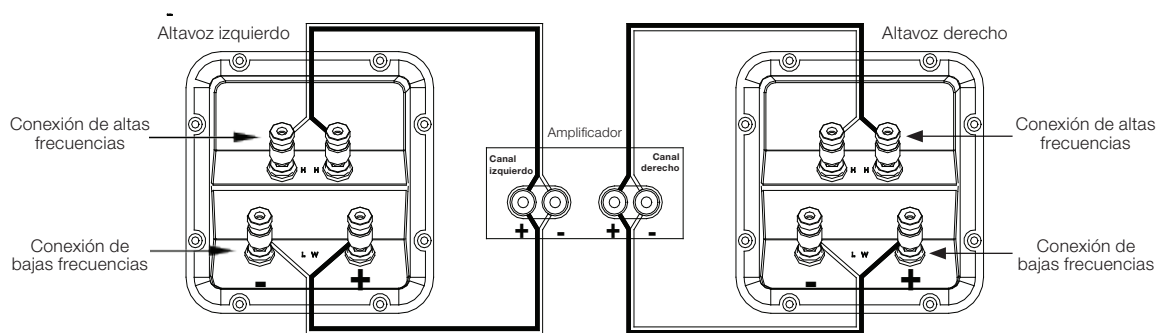
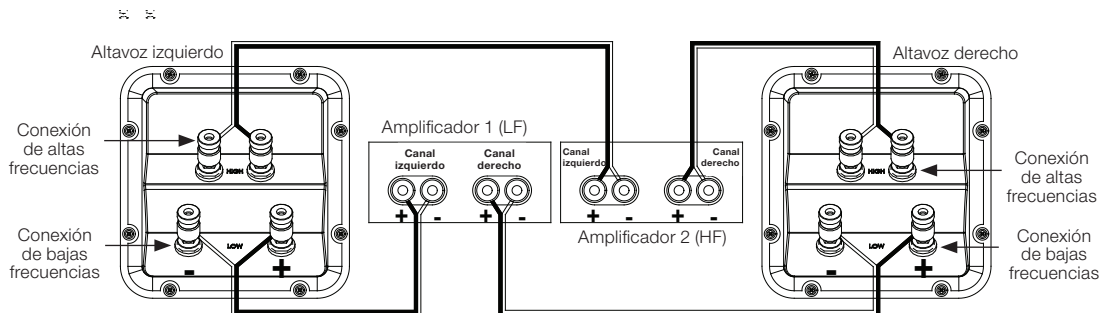


Figura 10

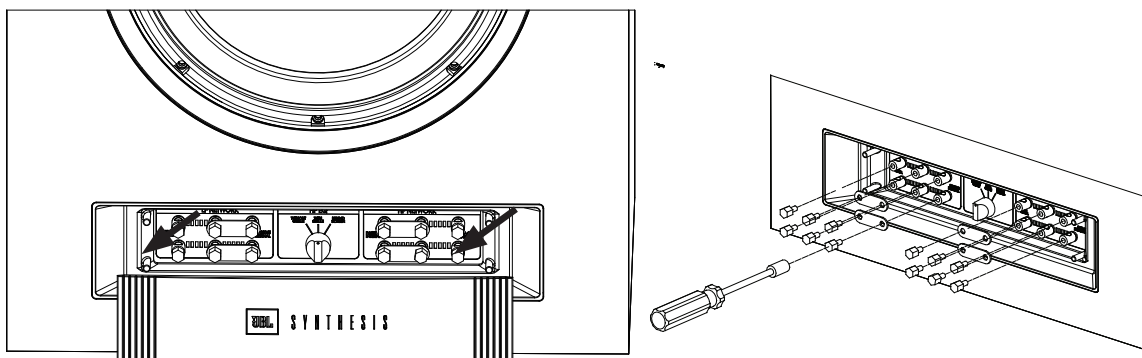
CONEXIÓN BICABLEADA Y BIAMPLIFICADA (continuación):

Cableado biamplificado

Un amplificador y un sistema de altavoces están biamplificados cuando se utiliza un canal del amplificador para las altas frecuencias y otro para las bajas. Un altavoz de 2 vías puede utilizar ambos canales procedentes de un amplificador estéreo. Al seleccionar canales de amplificador y cables adecuados para los distintos anchos de banda, se puede obtener una mejora notable. Para cablear el SCL-1 con biamplificación, conecta los altavoces según la ilustración siguiente:



CONEXIONES DE RED DE LF Y HF



Atención:

Para evitar contactos eléctricos deficientes a causa de tornillos de montaje de barras de toma de tierra flojos, asegúrate de que los tornillos estén instalados con firmeza. Sin embargo, si se aprietan en exceso, existe el riesgo de dañar los terminales en sí. Aprieta los tornillos con un torque razonable y solo a mano.

Configuración predeterminada con conexión de red de LF y HF integrada

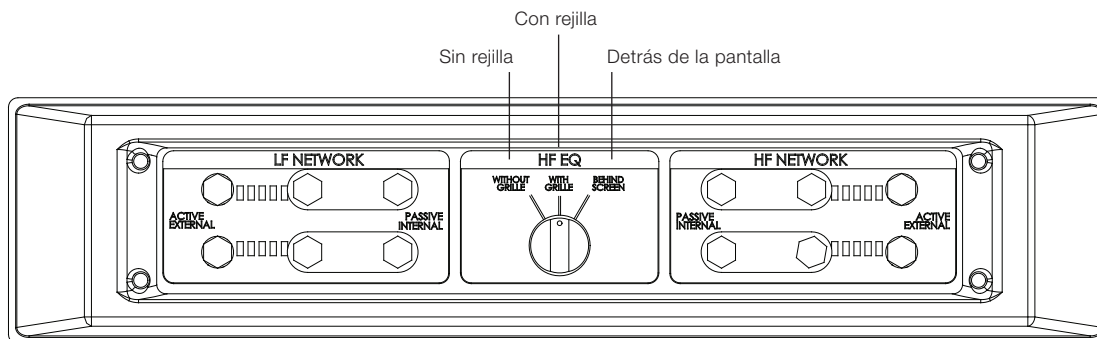


Figura 11

Configuración en derivación sin conexión de red de LF y HF integrada

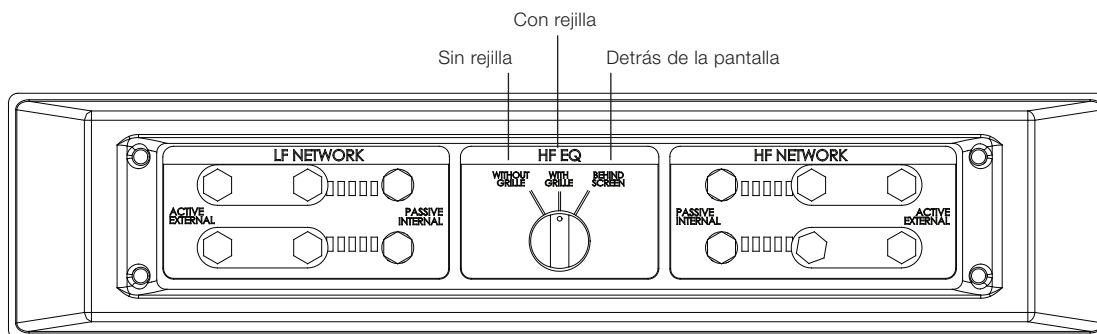


Figura 12

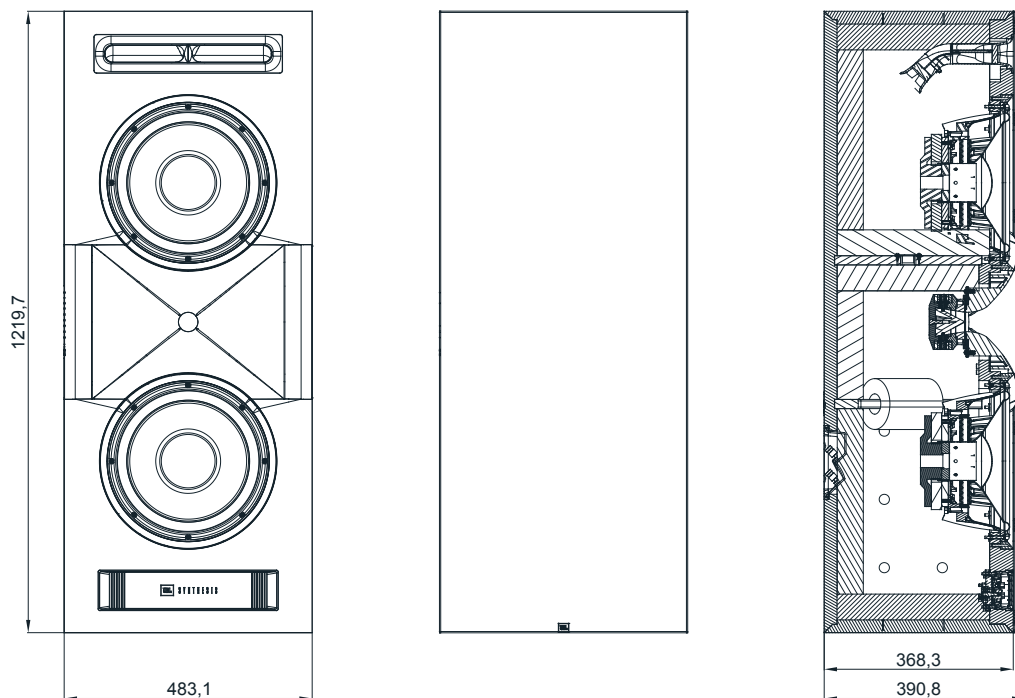
CUIDADO DE LOS ALTAVOCES

- Limpia a carcasa con un paño limpio y seco para quitar el polvo. Un paño húmedo puede oscurecer el acabado de la carcasa. No utilices líquidos volátiles, como benceno, disolvente de pinturas o alcohol, en la carcasa.
- No pulverices insecticidas cerca de la carcasa.
- Para quitar el polvo del tejido de rejilla, utiliza un aspirador ajustado a baja potencia de succión.
- No laves la rejilla en agua, ya que se puede decolorar o deformar.
- Si la superficie del cono del woofer se llena de polvo, puedes limpiarla con cuidado con un cepillo caligráfico suave y seco o una brocha de pintura. No utilices un paño húmedo.

ESPECIFICACIONES

Tipo de altavoz	Altavoz de 2 vías para interiores
Tamaño y material de la unidad de baja frecuencia	Woofers duales de 12" (300 mm) con bastidor fundido y cono de composite de celulosa de carbono negro (C4).
Tamaño y material de la unidad de alta frecuencia	Unidad anular de 3" (75 mm) de compresión con diafragma en anillo de Teonex® con estructuras de motor de neodimio duales combinadas con una bocina de reproducción espacial en alta resolución (HDI™)
Potencia del amplificador recomendada, ancho de banda completo	500 WRMS; mínimo
Potencia del amplificador recomendada, corte de frecuencias a 80 Hz	500 WRMS; mínimo
Impedancia nominal	4 Ohms
Sensibilidad del altavoz	94 dB/2,83 V/1 m
Respuesta en frecuencias	40 Hz - 24 kHz (-6 dB), pendiente de LF de tercer orden
Frecuencia de corte	775 Hz
Área de cobertura, -6 dB a 10 kHz	Aproximadamente 120 grados en horizontal x 100 grados en vertical
Área de cobertura, -6 dB a 20 kHz	Aproximadamente 90 grados en horizontal x 70 grados en vertical
Tipo de caja	Sistema complementario de alineación de bajos (CBAS™)
Controles	3 posiciones sin rejilla, con rejilla o detrás de la pantalla
Tipo de entrada	Conjuntos duales de postes de conexión con resorte chapados en oro
Dimensiones del producto (con rejilla)	1219,7 mm x 483,1 mm x 390,8 mm
Peso del producto (con rejilla)	80,5 kg
Acabados:	Vinilo negro

DIMENSIONES



IMPORTANTE: INSTRUÇÕES DE SEGURANÇA

1. Leia as instruções.
2. Guarde os manuais em um lugar seguro.
3. Observe todas as advertências.
4. Siga todas as instruções.
5. Limpe o equipamento apenas com pano seco.
6. Não bloqueie nenhuma abertura de ventilação. Instale o produto de acordo com as instruções do fabricante
7. Nunca instale o produto próximo a fontes de calor como radiadores, aquecedores, fornos ou outros equipamentos que produzam calor, incluindo amplificadores.
8. Use apenas equipamentos e acessórios aprovados pelo fabricante.
9. Use apenas carrinhos, suportes, tripés, estantes ou mesas indicadas pelo fabricante ou vendidas junto com o produto. Se usar um carrinho, tome cuidado ao movê-lo para que a caixa não caia e cause lesões em pessoas ao redor.
10. Toda manutenção deve ser feita por uma assistência técnica qualificada. Procure a assistência técnica se o equipamento sofrer qualquer tipo de dano, tais como danos ao cabo de energia ou à tomada, derramamento de líquidos ou queda de objetos em seu interior, exposição a chuva ou umidade, funcionamento anormal ou quedas.



Modo de descartar o produto (procedimentos para resíduos eletroeletrônicos)

Este símbolo significa que o produto não pode ser descartado no lixo comum e deve ser entregue a um centro de reciclagem capaz de processá-lo. O descarte e a reciclagem ajudam a proteger os recursos naturais, a saúde humana e o meio ambiente. Para saber mais sobre como descartar e reciclar o produto, procure as autoridades locais, o serviço de coleta de lixo ou a loja onde o produto foi adquirido.

**RoHS**

Este produto atende às normas RoHS.

Este produto está de acordo com a Diretiva 2011/65/UE e as respectivas emendas, que determinam restrições ao uso de determinadas substâncias perigosas em equipamentos eletroeletrônicos.

REACH

O Regulamento REACH (nº. 1907/2006) dispõe sobre a produção e o uso de substâncias químicas e seus possíveis impactos sobre a saúde humana e o meio ambiente. O Artigo 33(1) do Regulamento REACH requer que os fornecedores informem a presença de excipientes cujo teor for superior a 0,1 % (por peso por artigo) de quaisquer substâncias constantes da Lista de Substâncias Candidatas que Suscitam Elevada Preocupação (SVHC, "Substances of Very High Concern") ("lista de candidatos REACH"). Este produto contém a substância "chumbo" (nº CAS 7439-92-1) em concentração superior a 0,1% por peso.

No momento em que foi liberado, este produto não continha, além do chumbo, nenhuma outra substância constante da lista de candidatos REACH em concentração superior a 0,1% por peso.

Observação: O chumbo foi adicionado à lista de candidatos do Regulamento REACH em 27 de junho de 2018. A inclusão do chumbo na lista de candidatos REACH não significa que os materiais que contêm chumbo ofereçam risco imediato nem implica em restrição das utilizações permitidas dos referidos materiais.

ÍNDICE

OBRIGADO POR ESCOLHER A JBL®	43
CONTEÚDO DA EMBALAGEM	43
POSICIONAMENTO DA CAIXA DE SOM	44
CAIXAS DE SOM ESQUERDA E DIREITA	44
CAIXA DE SOM DO CANAL CENTRAL	44
SISTEMAS DE 5.1 CANAIS	46
SISTEMAS DE 7.1 CANAIS	46
OBSERVAÇÕES GERAIS SOBRE A INSTALAÇÃO	47
CONECTANDO AS CAIXAS DE SOM AOS AMPLIFICADORES	47
PREPARANDO O FIO DE CONEXÃO	47
INSTALAÇÃO COM DOIS FIOS OU COM DOIS AMPLIFICADORES	48
CONEXÕES DE REDE LF e HF	49
Configuração Padrão com Conexão de Rede LF e HF Integrada	49
Configuração de Contorno sem Conexão de Rede LF e HF Integrada	50
CUIDADOS COM AS CAIXAS DE SOM	50
INFORMAÇÕES TÉCNICAS	51
DIMENSÕES	51

OBRIGADO POR ESCOLHER A JBL®

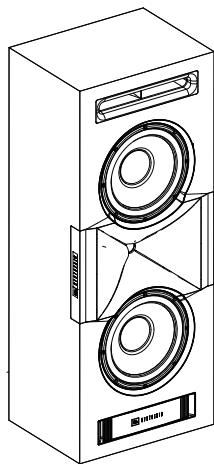
Há mais de 70 anos, a JBL está envolvida em cada aspecto das gravações e reproduções de músicas e filmes, desde apresentações ao vivo até o monitoramento de gravações que você reproduz em sua casa, carro ou escritório.

Temos certeza que a caixa de som JBL Synthesis que você escolheu proporcionará satisfação em cada nota musical. E quando pensar em comprar mais equipamentos de som para sua casa, carro ou escritório, você escolherá novamente a JBL.

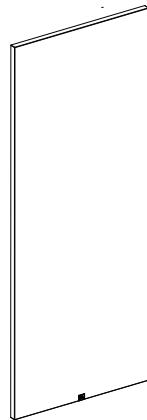
Reserve um momento para cadastrar seu produto em nosso website em www.jblsynthesis.com. Isso nos permite mantê-lo atualizado sobre nossos mais recentes avanços, nos ajudando a entender melhor nossos clientes, para então, desenvolvermos produtos que vão de encontro as suas necessidades e expectativas.

Todos os recursos e especificações estão sujeitos a mudanças sem aviso prévio.

CONTEÚDO DA EMBALAGEM



1 SCL-1



1 Grelha



1 Guia de Início Rápido

Se achar que o produto foi danificado durante o frete, procure imediatamente seu revendedor. Recomendamos que a caixa e os outros materiais de embalagem sejam guardados para uso futuro.

POSICIONAMENTO DA CAIXA DE SOM

Para obter o melhor desempenho acústico em uma instalação de home theater, é essencial que as caixas de som sejam posicionadas corretamente. A seção a seguir explica como escolher as melhores posições para as caixas.

CAIXAS DE SOM ESQUERDA E DIREITA

A SCL-1 é a escolha ideal para ser usada como caixa de som esquerda ou direita em um sistema multicanal. Como foram projetadas para proporcionar cobertura uniforme e dispersar o som tanto quanto possível, elas devem ser colocadas no centro das caixas de som aproximadamente na mesma altura em que os atores aparecem na tela. Assim, cria-se a impressão de que as vozes dos atores estão vindo das imagens na tela. O ideal é posicionar as caixas de som anguladas cerca de 60 graus entre si e em relação ao ouvinte. Assim, a distância entre as caixas de som é igual à distância entre cada caixa e o ouvinte (Figura 1).

A montagem recomendada da SCL-1 é vertical com a porta na parte superior. (Figura 2).

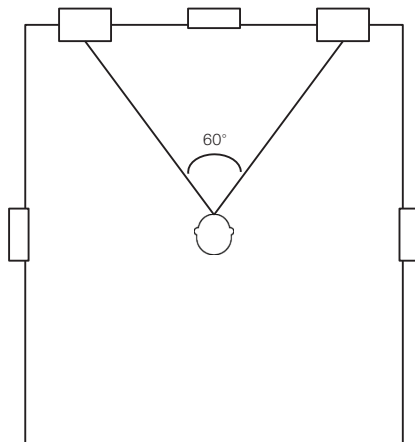


Figura 1

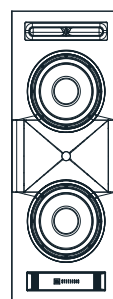


Figura 2

CAIXA DE SOM DO CANAL CENTRAL

A SCL-1 pode ser orientada vertical ou horizontalmente quando usada como canal central. Se a caixa de som for usada com uma tela de projeção perfurada, deve-se montá-la atrás do centro da tela com o eixo central horizontal alinhado o melhor possível com o eixo central das caixas de som dos canais esquerdo e direito (Figura 3).

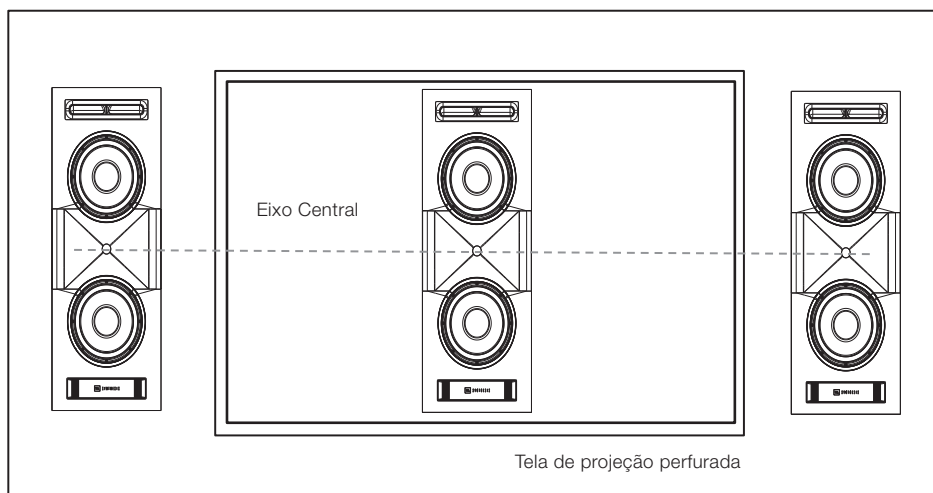


Figura 3

Observação: Algumas telas de projeção perfuradas possuem uma barra cruzada que passa pelo centro do quadro da tela (Figura 4). Nesse caso, evite que essa barra bloqueie a corneta. Posicione as caixas de som em orientação vertical de modo que a barra passe em frente das caixas de som na borda da corneta mais próxima do woofer central.

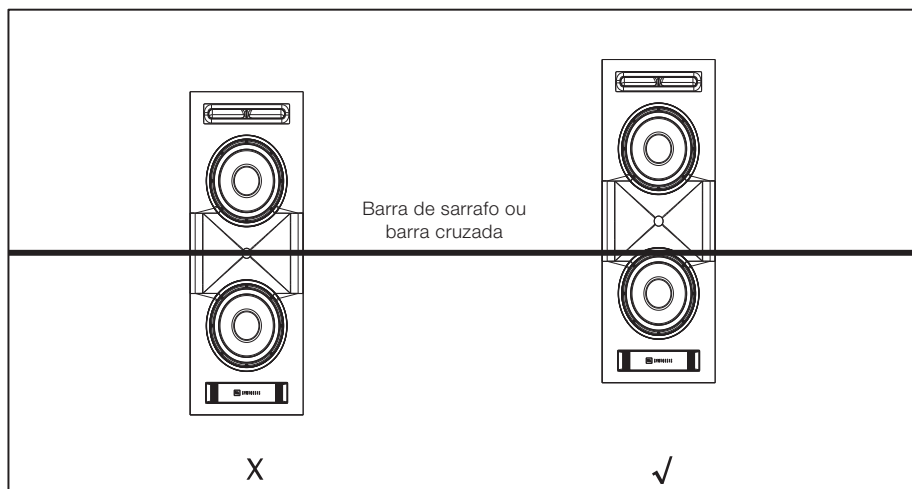


Figura 4

Se uma tela de projeção não-perfurada ou monitor de LCD, plasma ou OLED for usado na instalação, a SLC-1 pode ser instalada em posição horizontal diretamente acima ou abaixo e o mais perto possível da tela (Figura 5).

Observação: É essencial que as caixas de som central, esquerda e direita sejam, tanto quanto possível, mantidas na mesma altura. A corneta da caixa de som do canal central nunca deve ficar mais de 61 cm (2 pés) acima ou abaixo das caixas de som esquerda e direita. Isso preserva o sentido de posicionamento criado pelas “varreduras de som”, em que o som parece se mover da esquerda para o centro e depois para a direita. Se houver a impressão de que o som está indo de cima para baixo, isso pode acabar com a ilusão de som em movimento. Para reduzir a diferença de altura entre as caixas de som central, abaixe um pouco as caixas esquerda e direita. (Figura 5).

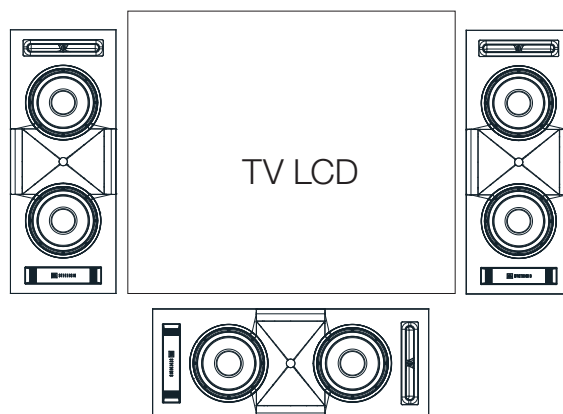


Figura 5

SISTEMAS DE 5.1 CANAIS

As caixas de som surround devem ser instaladas nas paredes laterais e não devem ficar mais perto da tela que das cadeiras da primeira fileira de ouvintes. Se houver apenas duas fileiras de ouvintes, deve-se colocar as caixas entre elas. As caixas de som surround devem ser posicionadas acima dos assentos e pelo menos 61 cm acima dos ouvidos de um ouvinte sentado (Figura 6).

Observações:

Consulte o seu distribuidor autorizado JBL Synthesis sobre as opções de produto das caixas de som surround

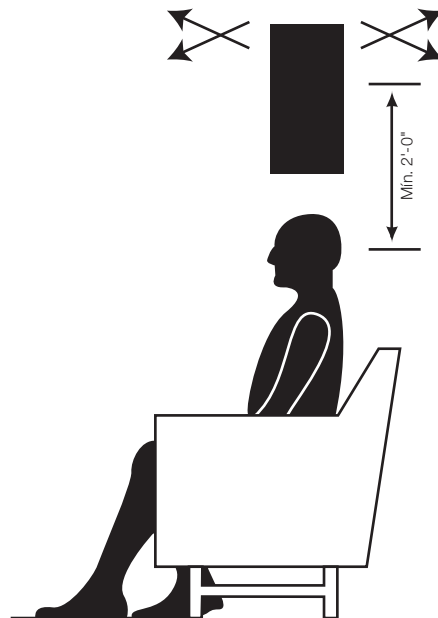


Figura 6

SISTEMAS DE 7.1 CANAIS

Em um sistema de 7.1 canais, são incluídas mais duas caixas de som em um sistema de 5.1 canais para preencher a parte posterior do ambiente. As duas caixas de som adicionais são colocadas na parede traseira ou na parede posterior, se usadas na sala. (Figura 7).

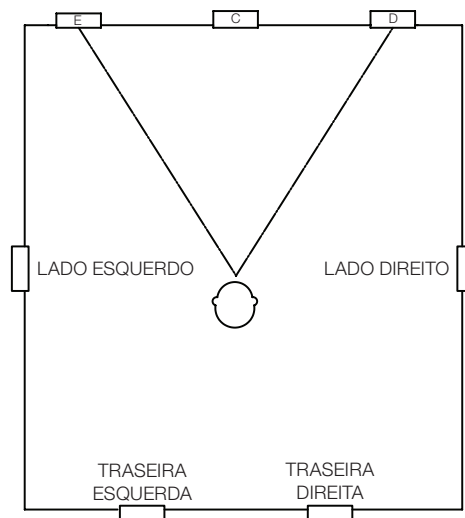


Figura 7

OBSERVAÇÕES GERAIS SOBRE A INSTALAÇÃO

1. Identifique todos os conectores na parte traseira do gabinete e na rede do baffle.
2. Escolha uma das opções de fiação (um fio, dois fios ou dois amplificadores) antes de instalar.

CONECTANDO AS CAIXAS DE SOM AOS AMPLIFICADORES

Para conectar as caixas de som Synthesis SCL-1 ao(s) amplificador(es) de potência ou receptor, use um fio de caixa de som isolado com dois condutores.

COMPRIMENTO DO FIO	TAMANHO RECOMENDADO
Até 20 pés	Bitola 14
Até 30 pés	Bitola 12
Mais de 30 pés.	Bitola 10

A SCL-1 possui conectores com mola que podem receber fio trançado de bitola até 10 AWG.

PREPARANDO O FIO DE CONEXÃO

1. Meça a distância entre o amplificador e a caixa de som mais afastada de cada grupo (frontal, surround e surround traseiro).
2. Os fios que vão até as caixas de som de cada grupo devem ter o mesmo comprimento, mesmo que uma das caixas esteja muito mais próxima do amplificador que a mais distante, para manter o equilíbrio entre os canais. Se optar pelo método com dois amplificadores ou dois fios, corte mais segmentos de fio.
3. Passe os fios pelas paredes até as posições de montagem.
4. Retire o isolamento de 3/8" das duas extremidades de cada fio e torça-as até formar uma espiral bem ajustada.
5. As caixas de som e as fontes de sinal possuem conectores (+) e negativos (-). A maioria dos fabricantes de equipamentos de som e caixas de som, incluindo a JBL, utiliza a cor vermelha para designar o positivo (+) e a cor preta para designar o negativo (-). Verifique a polaridade antes de conectar.

É importante conectar todas as caixas de som de maneira idêntica: Positivo (+) na caixa de som para positivo (+) no amplificador e negativo (-) na caixa de som para negativo (-) no amplificador. Se alguma caixa for conectada “fora de fase” (positivo para negativo e negativo para positivo) em relação às outras caixas, isso reduzirá a densidade do som e a intensidade dos graves, além de prejudicar a imagem sonora.

Procure uma diferença no aspecto dos dois condutores de cada par de fios de caixa de som. Pode-se usar fios de cores diferentes (cobre ou prata), uma linha em um dos fios, pequenos sulcos em parte do isolamento externo ou identificadores impressos em uma parte do isolamento externo. Não importa quais fios são conectados aos terminais (+) positivos e (-) negativos das caixas de som, contanto que todas as caixas de som recebam as mesmas conexões de terminais (+) positivos e (-) negativos (-) (Figura 8).

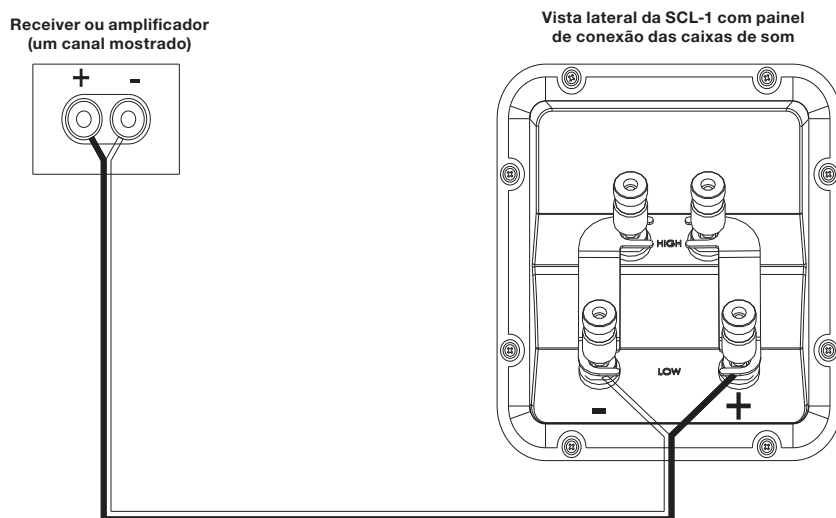


Figura 8

INSTALAÇÃO COM DOIS FIOS OU COM DOIS AMPLIFICADORES

A SCL-1 possui dois conjuntos de conectores, permitindo operação com dois fios ou com dois amplificadores.

1. Corte os dois pares de fio para cada caixa de som que receber dois fios.
2. Assinale as duas pontas dos pares de fios que serão usados para graves com "LF (baixa frequência)" e as extremidades dos fios usados para agudos com "HF (alta frequência)". Em seguida, passe os dois conjuntos de fio até chegar à posição de montagem.
3. Conecte o par marcado com "HF" à entrada "HF" da caixa de som e o par marcado com "LF" à entrada "LF". (Figura 9)
4. Antes de instalar a caixa de som usando dois fios ou dois amplificadores, remova as duas alças de jumper folheadas a ouro no painel terminal, afrouxando os terminais. Guarde as alças com segurança para uso futuro. Certifique-se de apertar os terminais nos fios LF e HF. (Figura 9)
5. Instale a caixa traseira e as caixas de som de acordo com a instruções deste manual.

CUIDADO: Se criar uma conexão com dois fios, nunca deixe as tiras condutoras no lugar. Isso pode danificar os amplificadores, causar danos físicos ou até lesões corporais.

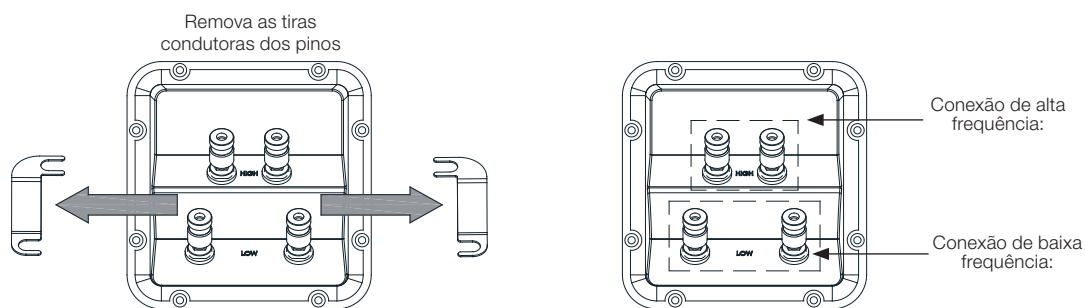


Figura 9

Conexão com dois pares de fios

Na conexão com dois pares de fios, as entradas de alta frequência e de baixa frequência são acionadas por dois pares de fios diferentes originários do mesmo canal de amplificação. Normalmente, diferentes tipos de fios são usados para as conexões: Normalmente se emprega um tipo de fio com maior capacidade de corrente para graves e outro de baixa indutância para agudos. O usuário deve selecionar os fios mais apropriado para cada seção da caixa de som. Os fios são originários da mesma saída de amplificador. Alguns usuários obtiveram melhores resultados com esse tipo de fiação.

Para realizar uma conexão com dois pares de fios SCL-1, siga as instruções na ilustração abaixo:

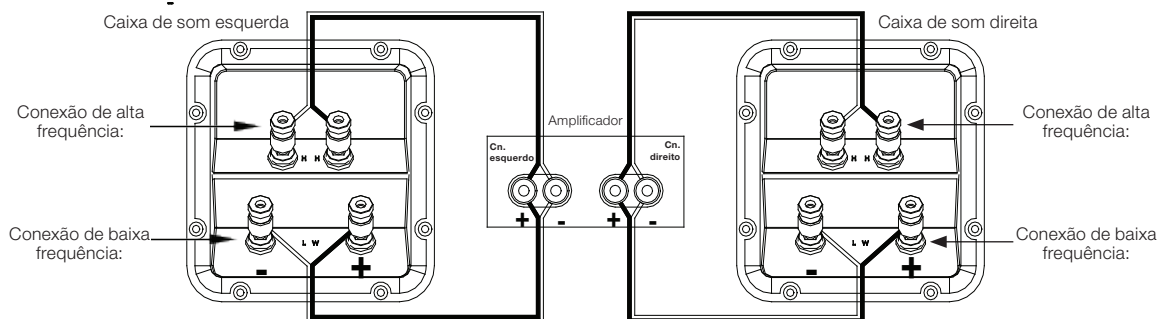
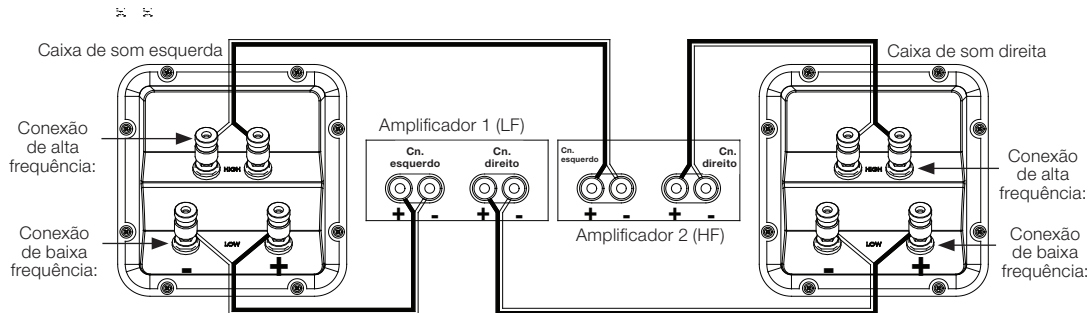


Figura 10

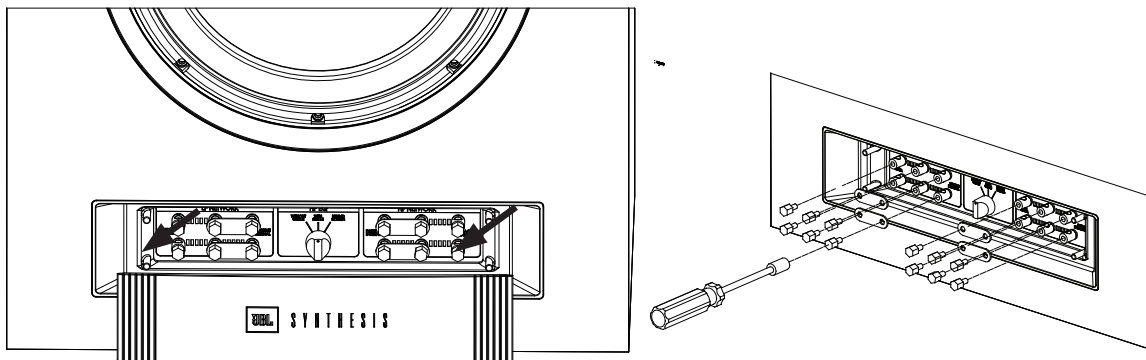
CONEXÃO COM DOIS FIOS E DOIS AMPLIFICADORES (continuação):

Conexão com dois amplificadores

Na conexão com dois amplificadores, usa-se um canal de um amplificador para agudos e um canal de outro amplificador para graves. Uma caixa de som 2-vias pode usar os dois canais de um único amplificador estéreo. A escolha cuidadosa dos canais dos amplificadores e fiação apropriada para as frequências de cada canal pode produzir resultados melhores. Para conectar a SCL-1 com dois amplificadores, conecte as caixas de som de acordo com a seguinte ilustração:



CONEXÕES DE REDE LF E HF



Atenção:

Para evitar mau contato elétrico causado por parafusos de montagem da barra de curto-circuito soltos, certifique-se de que os parafusos estejam firmemente instalados. No entanto, se você apertar demais, há o risco de danificar os próprios terminais. Aperte os parafusos com torque razoável apenas com a mão.

Configuração Padrão com Conexão de Rede LF e HF Integrada

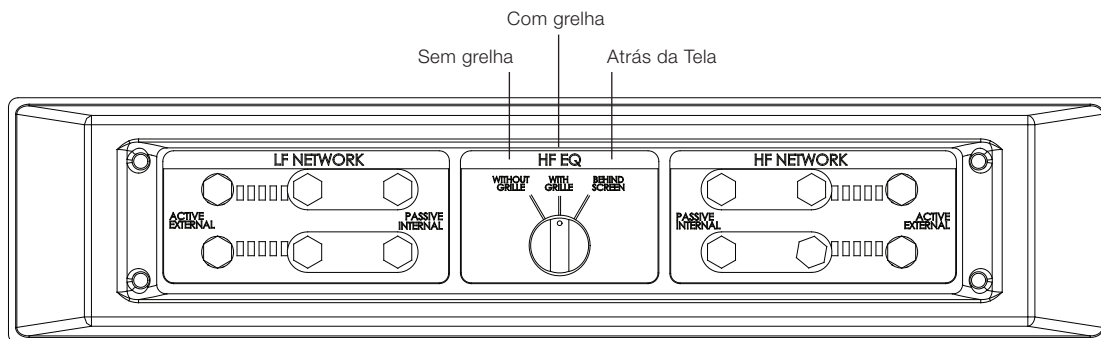


Figura 11

Configuração de Contorno sem Conexão de Rede LF e HF Integrada

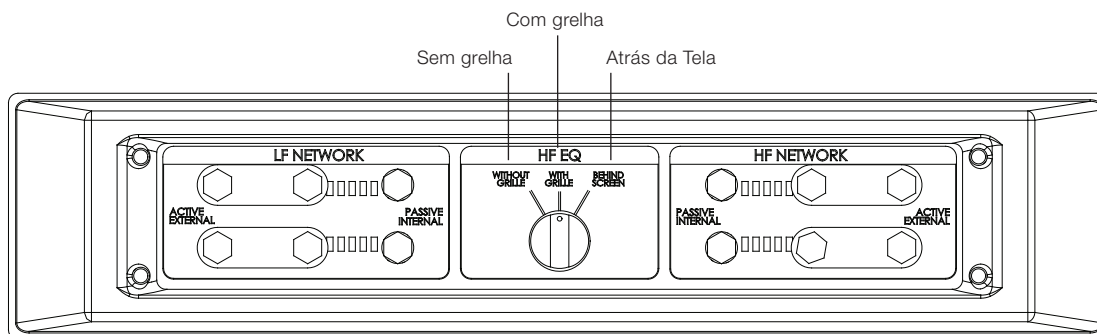


Figura 12

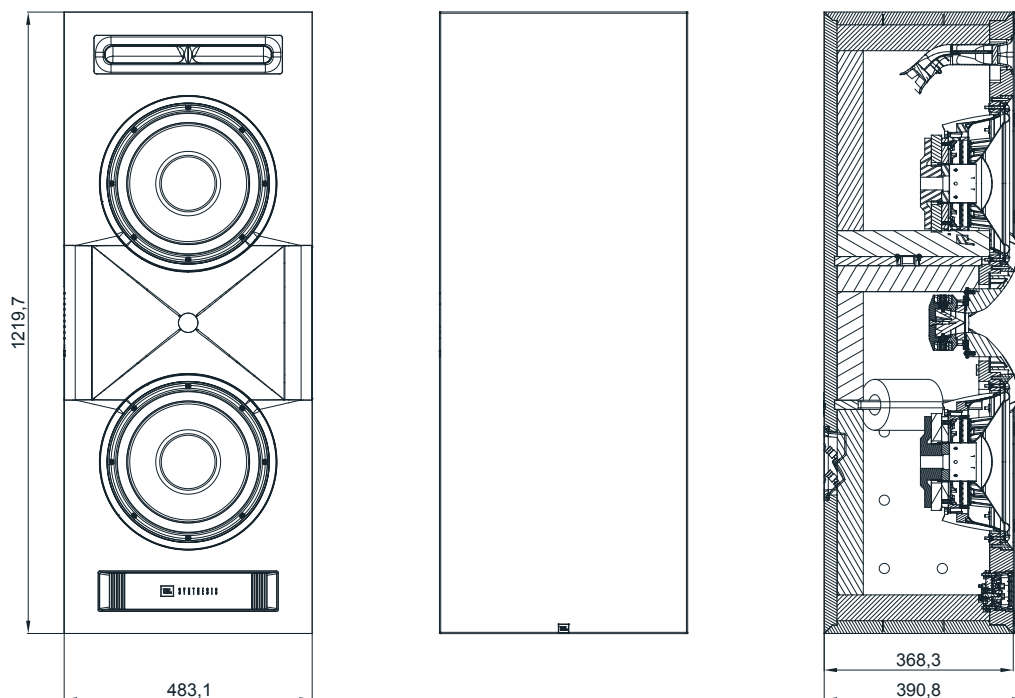
CUIDADOS COM AS CAIXAS DE SOM

- Limpe o gabinete com um pano limpo e seco para remover a poeira. Panos úmidos podem danificar o revestimento do gabinete. Não aplique líquidos voláteis como benzeno, tiner ou álcool no gabinete.
- Não aplique inseticida em aerossol perto do gabinete.
- Para remover poeira do tecido da grelha, use um aspirador de pó de baixa sucção.
- Nunca lave as grelhas em água. Isso pode desbotá-las ou manchá-las.
- Se as superfícies dos cones do woofer ficarem empoeiradas, limpe-as cuidadosamente com uma escova ou pincel macio e seco. Não use um pano úmido.

INFORMAÇÕES TÉCNICAS

Tipo de Caixa de Som	Caixa de Som de 2 vias na sala
Tamanho e material do driver de baixa frequência	Woofers de moldura fundida de cones duplos de 12 polegadas (300 mm) de celulose de carbono preto (C4)
Tamanho e material do driver de alta frequência	Driver de compressão de diafragma em anel Teonex® de 3" (75 mm) com duas estruturas de motor de neodímio acopladas à corneta de imagem de alta definição (HDI™)
Potência do amplificador recomendada, largura de banda total	500 WRMS, mínimo
Potência do amplificador recomendada, Crossover de 80 Hz	500 WRMS, mínimo
Impedância nominal	4 Ohms
Sensibilidade das caixas de som	94dB/2,83V/1m
Resposta de Frequência	40 Hz - 24 kHz (-6 dB), 3ª ordem LF roll-off
Frequência de Crossover	775 Hz
Área de cobertura, -6 dB a 10 kHz	Aproximadamente 120 graus horizontal x 100 graus vertical
Área de cobertura, -6 dB a 20 kHz	Aproximadamente 90 graus horizontal x 70 graus vertical
Tipo de gabinete:	Sistema Complementar de Alinhamento de Graves (CBAS™)
Controles	3 Posições - sem grelha, com grelha ou atrás da tela
Tipo de Entrada	Conjuntos duplos de conectores com mola folheados a ouro
Dimensões do produto (com grelha)	48,02" A x 19,02" L x 15,4" P (1219,7 mm x 483 mm x 390,8 mm)
Peso do produto (com grelha)	177,5 lb. (80,5 kg)
Acabamentos	Vinil preto

DIMENSÕES



IMPORTANT SAFETY INSTRUCTIONS

1. Ознакомьтесь с этими инструкциями.
2. Сохраните эти инструкции.
3. Обращайте внимание на все предупреждения.
4. Соблюдайте все инструкции.
5. Протирайте только сухой тканью.
6. Не закрывайте вентиляционные отверстия.
Устанавливайте аппаратуру в соответствии с инструкциями производителя.
7. Не устанавливайте аппаратуру поблизости от источников высокой температуры, таких как нагреватели, отопительные приборы, печи и другое оборудование (в том числе усилители), создающее тепло.
8. Используйте только комплектующие/аксессуары, указанные производителем.
9. Используйте исключительно тележку, стойку, треногу, кронштейн или стол, указанные производителем или входящие в комплект продажи аппаратуры. При использовании тележки проявляйте осторожность при перемещении аппаратуры на тележке, чтобы избежать травм в результате ее перекидывания.
10. Привлекайте для технического обслуживания исключительно квалифицированных специалистов. Обслуживание требуется в случае любого повреждения прибора, например повреждения шнура или вилки питания, проникновения жидкости или падения предметов внутрь прибора, попадания дождя или влаги на прибор, неправильной работы или падения прибора.



Правильная утилизация продукта (Утилизация электрического и электронного оборудования)

Этот значок означает, что продукт нельзя выбрасывать с обычными бытовыми отходами; его следует доставить в соответствующий пункт сбора отходов для переработки. Правильная утилизация и переработка мусора помогают сохранить природные ресурсы, защитить здоровье людей и окружающую среду. Чтобы получить дополнительную информацию по утилизации и переработке продукта, обратитесь в местную администрацию, службу сбора отходов или в магазин, где вы приобрели этот продукт.

**RoHS**

Продукт соответствует директиве RoHS.

Данный продукт соответствует директиве EMC 2011/65/EC и ее поправкам по ограничению использования определенных вредных веществ в электрическом и электронном оборудовании, а также ТР ЕАЭС 037/2016 Техническому регламенту Евразийского экономического союза «Об ограничении применения опасных веществ в изделиях электротехники и радиоэлектроники».

REACH

REACH (регламент № 1907/2006) и ТР ЕАЭС 037/2016 Технический регламент Евразийского экономического союза «Об ограничении применения опасных веществ в изделиях электротехники и радиоэлектроники» регулирует производство и применение химических веществ и их потенциальное воздействие на здоровье человека и окружающую среду. Статья 33(1) регламента REACH требует от поставщиков уведомлять получателей в случае, если артикул содержит более 0,1 % (от веса артикула) какого-либо вещества или веществ, входящих в «Перечень потенциально опасных веществ» (SVHC) («Перечень веществ-кандидатов REACH»). Настоящий продукт содержит вещество «свинец» (CAS № 7439-92-1) в концентрации более 0,1 % весовой доли.

На момент выпуска продукта, кроме вещества «свинец», в нем не содержалось других веществ из списка веществ-кандидатов REACH в концентрации, превышающей 0,1 % весовой доли.

Примечание. 27 июня 2018 г. свинец был добавлен в список веществ-кандидатов REACH. Включение свинца в список веществ-кандидатов REACH не означает, что материалы, содержащие свинец, представляют непосредственную опасность, а также не влечет за собой ограничений на применение свинца.

СОДЕРЖАНИЕ

БЛАГОДАРИМ ВАС ЗА ВЫБОР ПРОДУКЦИИ JBL®!	53
КОМПЛЕКТАЦИЯ	53
РАЗМЕЩЕНИЕ АУДИОСИСТЕМЫ	54
ЛЕВАЯ И ПРАВАЯ КОЛОНКА	54
ЦЕНТРАЛЬНЫЙ КАНАЛ	54
5.1-КАНАЛЬНАЯ СИСТЕМА	56
7.1-КАНАЛЬНАЯ СИСТЕМА	56
ОБЩИЕ ПРИМЕЧАНИЯ ПО УСТАНОВКЕ	57
ПОДКЛЮЧЕНИЕ АУДИОСИСТЕМ К УСИЛИТЕЛЮ	57
ПОДГОТОВКА МОНТАЖНОГО ПРОВОДА	57
ДВУХПРОВОДНОЕ СОЕДИНЕНИЕ И ДВОЙНОЕ УСИЛЕНИЕ	58
ПОДКЛЮЧЕНИЕ С РАЗДЕЛОМ НИЗКИХ И ВЫСОКИХ ЧАСТОТ	59
Настройка по умолчанию с использованием встроенного разделения низкочастотного и высокочастотного сигнала	59
Обходная настройка подключения без использования встроенного разделения низкочастотного и высокочастотного сигнала	60
УХОД ЗА КОЛОНКАМИ	60
ТЕХНИЧЕСКИЕ ХАРАКТЕРИСТИКИ	60
ГАБАРИТНЫЕ РАЗМЕРЫ	61

БЛАГОДАРИМ ВАС ЗА ВЫБОР ПРОДУКЦИИ JBL®!

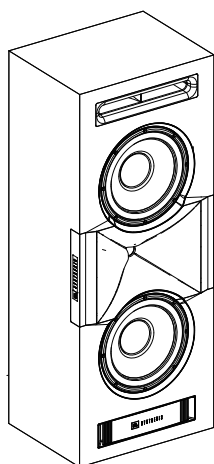
Вот уже более 70 лет специалисты компании JBL всесторонне занимаются записью и воспроизведением музыки и фильмов — от живых представлений до записей, которые вы проигрываете дома, в машине или на работе.

Мы уверены, что выбранная вами аудиосистема JBL Synthesis полностью оправдывает ваши ожидания, и вы снова выберете продукцию компании JBL, когда решите приобрести дополнительное аудиооборудование для дома, машины или офиса.

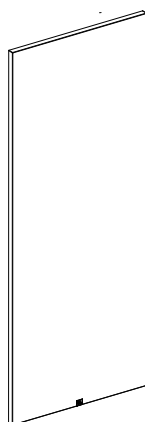
Пожалуйста, потратьте немного времени на то, чтобы зарегистрировать свое изделие на сайте www.jblsynthesis.com. Этим вы дадите нам возможность регулярно сообщать вам о последних достижениях, а также поможет нам лучше понимать наших клиентов и создавать продукты, отвечающие их потребностям и ожиданиям.

Все функции и технические характеристики могут изменяться без предварительного уведомления.

КОМПЛЕКТАЦИЯ



SCL-1, 1 шт.



Защитная
решетка, 1 шт.



Краткое
руководство, 1 шт.

Если вы подозреваете повреждение при доставке, сообщите о нем немедленно дилеру. Мы рекомендуем сохранять коробку и упаковочные материалы для будущего использования.

РАЗМЕЩЕНИЕ АУДИОСИСТЕМЫ

Правильное размещение аудиосистемы очень важно для достижения звуковых характеристик домашнего кинотеатра. Прочтите следующий раздел, чтобы узнать о правильном и оптимальном размещении.

ЛЕВАЯ И ПРАВАЯ КОЛОНКА

SCL-1 — это отличный выбор в качестве фронтальной аудиосистемы для переднего левого и правого канала в многоканальной системе. Так как они были разработаны для равномерного распределения и максимального охвата звука, их нужно размещать, чтобы центр колонок был примерно на одной высоте с экраном, чтобы создавалось впечатление появления голосов актеров непосредственно из экрана. В идеале их нужно размещать примерно на 60 градусов друг от друга, если смотреть с положения слушателя, чтобы расстояние между колонками было таким же, как расстояние между каждой колонкой и слушателем (рис. 1).

Рекомендуется устанавливать систему SCL-1 вертикально, чтобы порт фазоинвертора был сверху (Рис. 2).

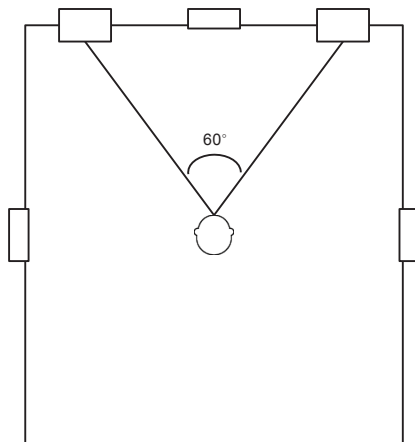


Рис. 1

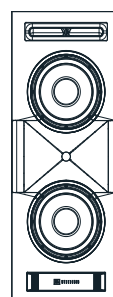


Рис. 2

ЦЕНТРАЛЬНЫЙ КАНАЛ

SCL-1 может располагаться как вертикально, так и горизонтально при использовании в качестве аудиосистемы центрального канала. Если колонка используется с перфорированным проекционным экраном, его нужно устанавливать за центром экрана с горизонтальной осевой линией максимально близкой к центральной осевой линии колонок правого и левого каналов (рис. 3).

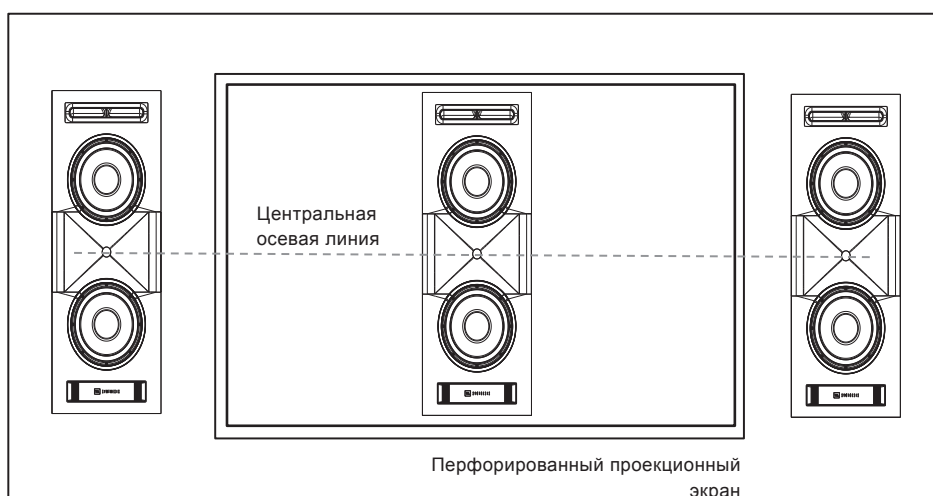


Рис. 3

Примечание. Некоторые перфорированные проекционные экраны оснащены защитной шиной или штангой, отцентрованными по раме экрана (Рис. 4). В этом случае проверьте, не блокирует ли штанга волновод аудиосистемы. Расположите вертикально установленные колонки, чтобы штанга пересекалась с аудиосистемой под волноводом, максимально близко к центральному динамику.

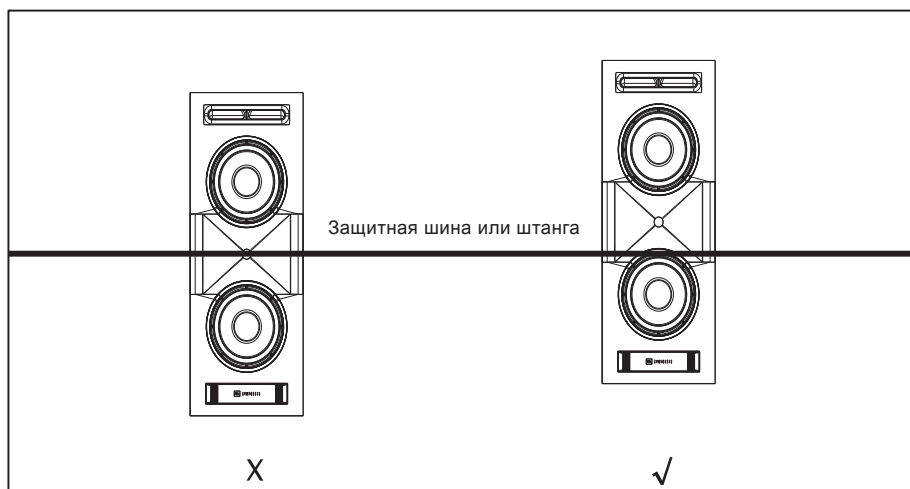


Рис. 4

Если используется неперфорированный экран для проектора, ЖК-экран, плазма или OLED, SLC-1 может использоваться горизонтальное расположение прямо под видеодисплеем, над ним или максимально близко (Рис. 5).

Примечание. Крайне важно разместить аудиосистемы центрального, левого и правого каналов на одинаковой высоте. Волновод аудиосистемы центрального канала должен быть на высоте не более 61 см (2 фута) выше или ниже аудиосистем левого и правого каналов. Это сохраняет целостность звуковой картины, когда звук движется слева к центру и направо. Если звук переходит вверх и вниз, это может нарушить впечатление правдоподобности звуковых эффектов. Для сокращения разницы в высоте между аудиосистемами центрального, правого и левого каналов, левую и правую колонки нужно слегка опустить (Рис. 5).



Рис. 5

5.1-КАНАЛЬНАЯ СИСТЕМА

Колонки объемного звучания необходимо размещать на боковых стенах не ближе к экрану, чем первый ряд мест зрителей. Если есть два ряда стульев, эти колонки нужно размещать между двумя рядами. Колонки объемного звучания должны размещаться выше места для сиденья, хотя бы на 2 фута выше уха зрителя (Рис. 6).

Примечания.

Обратитесь к авторизованному дилеру JBL Synthesis, где вам предложат варианты колонок объемного звучания.

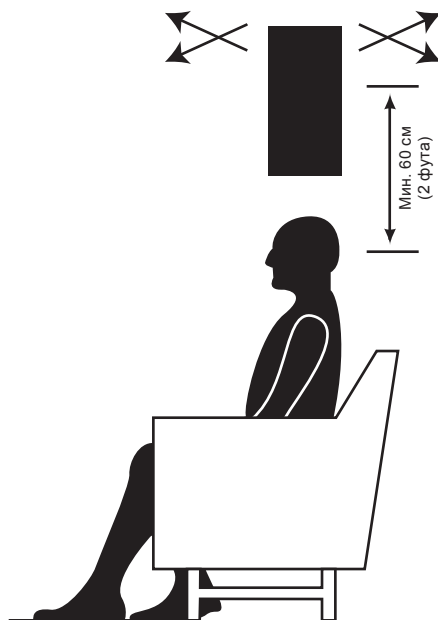


Рис. 6

7.1-КАНАЛЬНАЯ СИСТЕМА

В 7.1-канальной системе добавляются две колонки для звука сзади, не считая колонок объемного звучания 5.1-канальной системы. При использовании в помещении две дополнительные колонки располагаются на задней стене или около нее (Рис. 7).

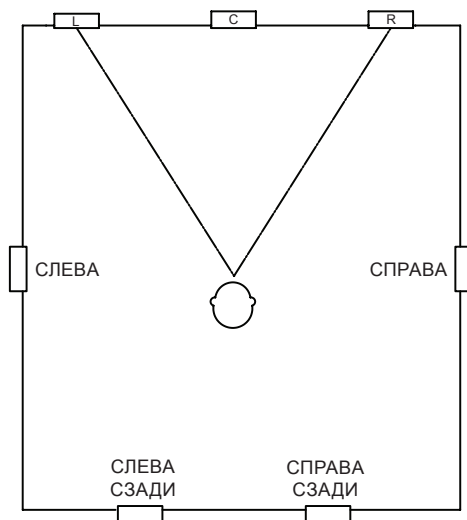


Рис. 7

ОБЩИЕ ПРИМЕЧАНИЯ ПО УСТАНОВКЕ

1. Определите все проводные соединения к передней и задней части корпуса аудиосистемы.
2. Выберите вариант подключения (однопроводное, двухпроводное, двойное усиление) перед установкой.

ПОДКЛЮЧЕНИЕ АУДИОСИСТЕМ К УСИЛИТЕЛЮ

Чтобы подключить JBL Synthesis SCL-1 к усилителям или приемнику, используйте двухжильный изолированный акустический провод.

ДЛИНА ПРОВОДА	РЕКОМЕНДОВАННАЯ ДЛИННА
До 6 метров	14 калибр (AWG 14)
До 9 метров	12 калибр (AWG 12)
Более 9 метров	10 калибр (AWG 10)

Пружинные винтовые клеммы SCL-1 обеспечивают зажим многожильного провода сечением до 2,5 мм² (AWG 10).

ПОДГОТОВКА МОНТАЖНОГО ПРОВОДА

1. Определите расстояние между вашим усилителем и самой дальней колонкой в каждой группе (передние, боковые, задние боковые).
2. Монтажные провода для всех колонок в каждой группе должны иметь одинаковую длину, даже если одна колонка намного ближе к усилителю, чем самый длинный. Это нужно для поддержания необходимого баланса каналов. Необходимо иметь дополнительные провода для двойного усиления или двухпроводного соединения, если вы выберете один из этих способов подключения.
3. Проложите провода через стены к местам установки.
4. Снимите 1 см изоляции с двух концов каждой жилы и скрутите каждый многожильный провод в плотную спираль.
5. Клеммы у колонок имеют соответствующие положительные (+) и отрицательные (-) разъёмы. Большинство производителей акустики и электроники, в том числе JBL, Inc., используют красный цвет для указания клеммы (+) и черный цвет для указания клеммы (-). Проверьте перед подключением.

Важно подключать все колонки одинаково: (+) на колонке к (+) на усилителе и (-) на колонке к (-) на усилителе. Подключение не к той фазе дает ненасыщенный звук, слабые басы и плохой стереофонический образ.

Найдите визуальное различие между двумя жилами каждой пары проводов колонок. Различиями могут быть цвет провода (медный или серебряный); жилы в пучках для одного проводника; тонкие выступающие ребра на одной части внешней изоляции; напечатанная маркировка на одной части внешней изоляции. Не имеет значения, какая из двух жил идет к выводам (+) и (-) на колонках и усилителях – главное, чтобы все они были подключены с соблюдением фаз: положительная (+) к положительной (+), отрицательная (-) к отрицательной (-) (Рис. 8).

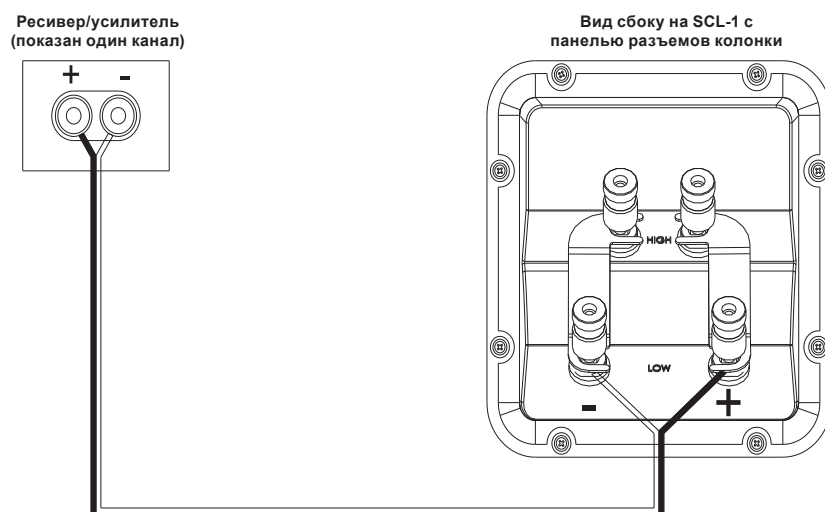


Рис. 8

ДВУХПРОВОДНОЕ СОЕДИНЕНИЕ И ДВОЙНОЕ УСИЛЕНИЕ

SCL-1 имеет два набора разъемов для двухпроводного соединения и двойного усиления.

1. Обрежьте две пары проводов для каждого двухпроводного подсоединения.
2. Пометьте оба конца пар проводов для низких частот как «LF», а оба конца проводов для высоких частот — как «HF». Затем проведите два набора проводов к месту установки.
3. Подключите пару с меткой «HF» к выходу «HF» колонки, а пару с меткой «LF» — к выходу «LF» (рис. 9).
4. Перед установки колонки, которая будет подключена по двухпроводной схеме или с двойным усилением, снимите две позолоченные перемычки на манжете клеммы, ослабив винты клеммы. Сохраните перемычки в надежном месте для будущего использования. Убедитесь, что вы хорошо затянули клеммы на проводах низких и высоких частот (Рис. 9).
5. Следуйте инструкциям в этом руководстве, чтобы установить стенную коробку и аудиосистему.

ПРЕДУПРЕЖДЕНИЕ: Не подключайте колонку по двухпроводной схеме при стоящих перемычках. Это может привести к травмам, серьезным повреждениям усилителя и иному материальному ущербу.

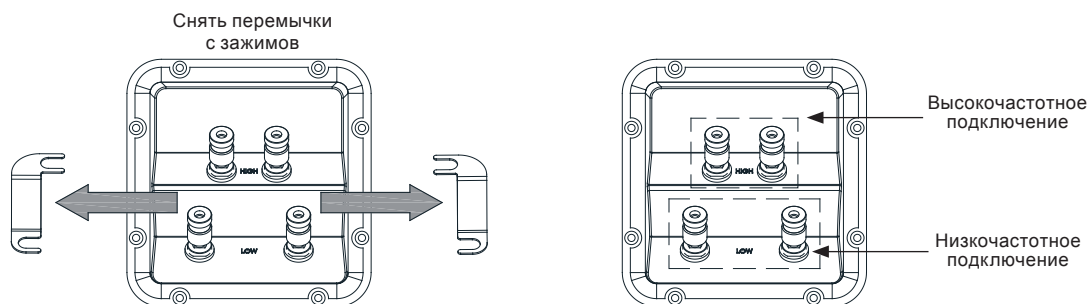


Рис. 9

Двухпроводная схема

Усилитель и акустическая система соединяются по двухпроводной схеме, когда высоко- и низкочастотные входы колонки реализуются через два разных провода от одного и того же канала усилителя. Как правило, для разных подключений используются разные типы проводов: сильноточный провод или провод, обеспечивающий лучшее звучание басов с точки зрения пользователя, обычно используется для низких частот, тогда как низкоиндуктивный провод или провод, обеспечивающий лучшее звучание верхних частот с точки зрения пользователя, используется для высокочастотного диапазона. Оба провода подсоединяются к одному и тому же выходу усилителя. По некоторым свидетельствам такая проводная схема позволяет добиться определенных улучшений.

Для реализации двухпроводной схемы у SCL-1 подсоедините колонки в соответствии со следующим рисунком.

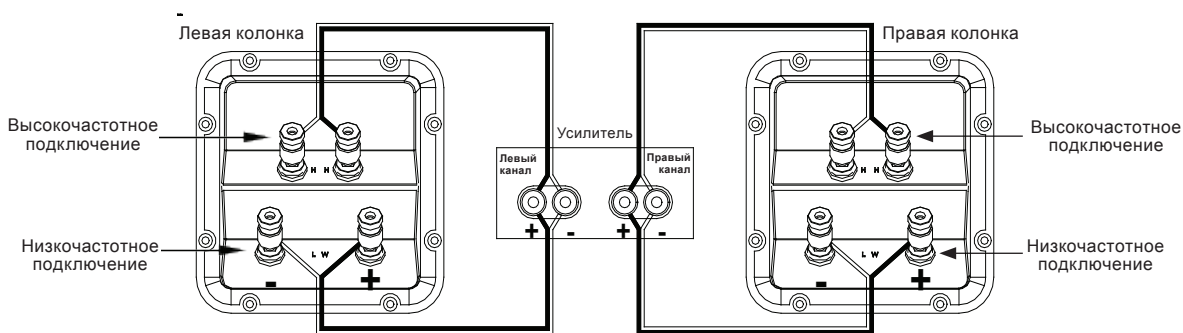
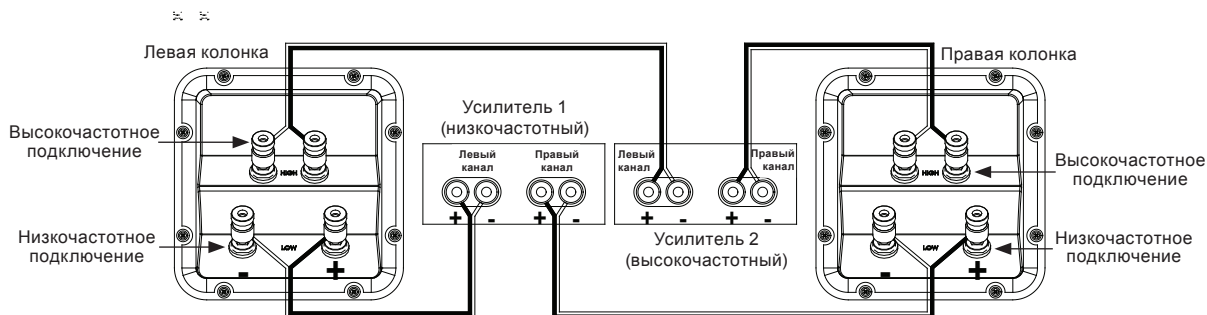


Рис. 10

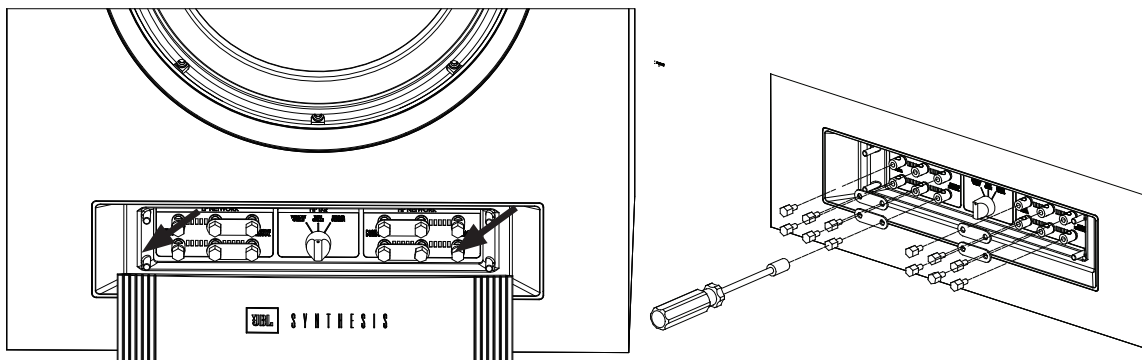
ПОДКЛЮЧЕНИЕ ПО ДВУХПРОВОДНОЙ (BI-WIRE) И ДВУХПОЛОСНОЙ (BI-AMP) СХЕМЕ УСИЛЕНИЯ (продолжение)

Подключение по двухполосной схеме

Усилитель с акустической системой подключаются по двухполосной схеме, когда один канал усилителя используется для высоких частот, и еще один канал — для низких частот. Одна двухполосная акустическая система может использовать оба канала в стереоусилителе. Правильный выбор каналов усилителя и проводов, подходящих для разных диапазонов частот, поможет добиться существенных улучшений. Для реализации двойного усиления SCL-1 подсоедините колонки в соответствии со следующим рисунком.



ПОДКЛЮЧЕНИЕ С РАЗДЕЛОМ НИЗКИХ И ВЫСОКИХ ЧАСТОТ



Внимание:

Слабое закрепление винтов на короткозамыкающей перемычке ведет к некачественному электрическому контакту; чтобы избежать этого, убедитесь, что винты закручены крепко. С другой стороны, если затянуть винты слишком сильно, можно повредить клеммы. Затягивайте винты с достаточным усилием только вручную.

Настройка по умолчанию с использованием встроенного разделения низкочастотного и высокочастотного сигнала

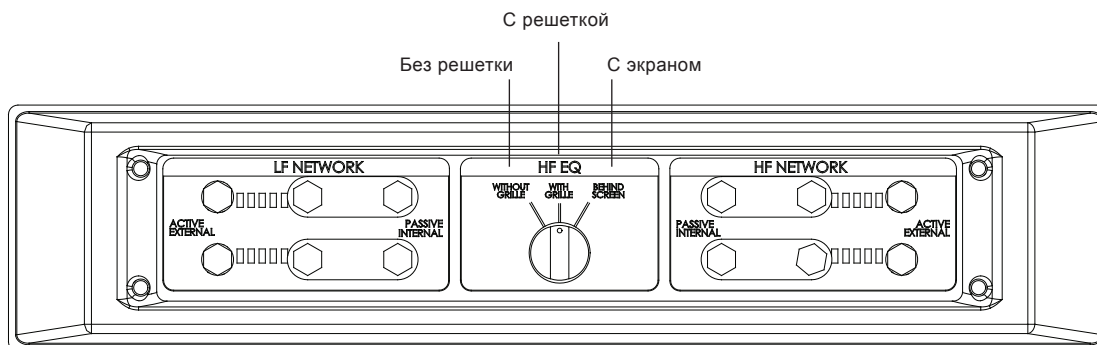


Рис. 11

Обходная настройка подключения без использования встроенного разделения низкочастотного и высокочастотного сигнала

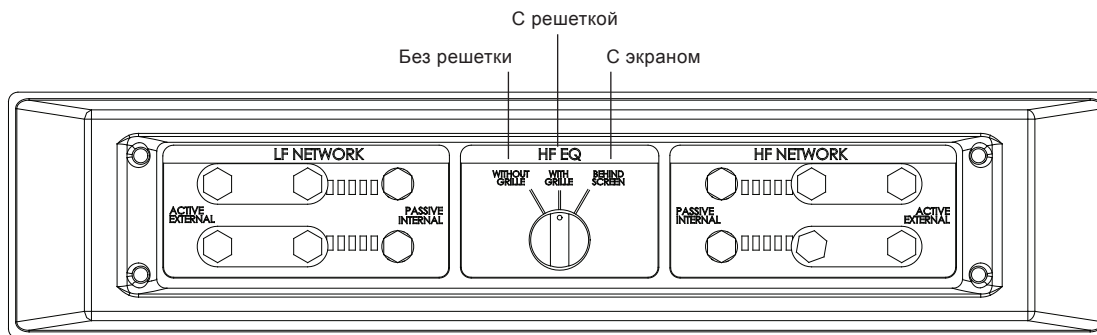


Рис. 12

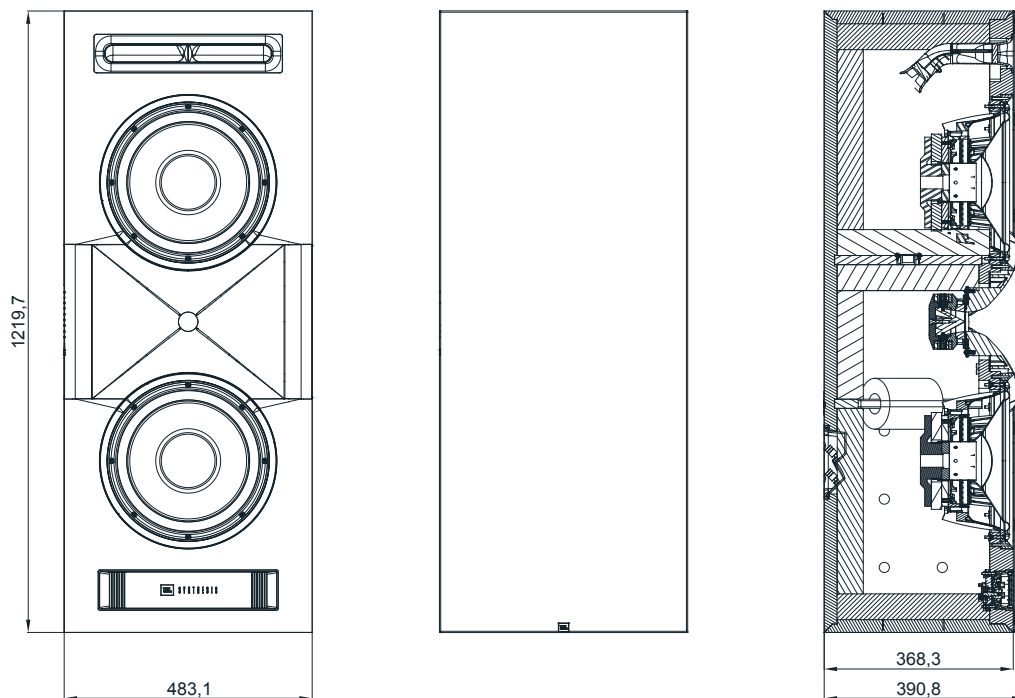
УХОД ЗА КОЛОНКАМИ

- Для удаления пыли протрите корпус чистой, сухой тканью. От влажной ткани полировка корпуса тускнеет. Не используйте для очистки корпуса летучие жидкости, такие как бензол, растворитель или спирт.
- Не распыляйте средства от насекомых вблизи корпуса.
- Для удаления пыли с ткани на решетке используйте пылесос, установленный на слабое всасывание.
- Не мойте решетку водой, от этого она может деформироваться и потерять цвет.
- Если поверхность конуса низкочастотного динамика запылилась, ее можно аккуратно очистить мягкой, сухой щеточкой или кистью. Не используйте влажную ткань.

ТЕХНИЧЕСКИЕ ХАРАКТЕРИСТИКИ

Тип колонки	2-канальная аудиосистема для помещений
Размеры и материалы низкочастотного динамика	Двойные 12-дюймовые (300 мм) низкочастотные динамики из гипсовальной рамы с диффузорами Black Carbon Cellulose Composite Cone (C4)
Размеры и материалы высокочастотного динамика	Компрессионный ВЧ динамик с двойной 3-дюймовой (75 мм) двойная диафрагмой Теопех® с двойной неодимовой магнитной частью, нагруженный на волновод High-Definition Imaging (HDI™)
Рекомендуемая мощность усилителя, полный диапазон	500 Вт (ср.-кв.), минимально
Рекомендуемая мощность усилителя, кроссовер 80 Гц	500 Вт (ср.-кв.), минимально
Номинальный импеданс	4 Ом
Чувствительность динамика	94 дБ / 2,83 В / 1 м
Частотная характеристика	40 Гц — 24 кГц (-6 дБ), низкочастотный спад третьего порядка
Частота разделительного фильтра	775 Гц
Зона покрытия, -6 дБ при 10 кГц	Приблизительно 120 градусов по горизонтали x 100 градусов по вертикали
Зона покрытия, -6 дБ при 20 кГц	Приблизительно 90 градусов по горизонтали x 70 градусов по вертикали
Тип корпуса	Complementary Bass Alignment System (CBAS™)
Элементы управления	3-позиционные — без защитной решетки, с решеткой или с экраном
Входные подключения	Два комплекта позолоченных пружинных винтовых клемм
Габариты изделия (с защитной решеткой)	1219,7 мм (В) x 483,1 мм (Ш) x 390,8 мм (Г)
Вес изделия (с защитной решеткой)	80,5 кг
Отделка	Черный винил


ГАБАРИТНЫЕ РАЗМЕРЫ



Торговая марка:	JBL
Назначение товара:	Пассивная акустическая система
Изготовитель:	Харман Интернешнл Индастриз Инкорпорейтед, США, 06901 Коннектикут, г.Стэмфорд, Атлантик Стрит 400, офис 1500
Страна происхождения:	Китай
Импортер в Россию:	ООО «ХАРМАН РУС СиАйЭс», Россия, 127018, г.Москва, ул. Двинцев, д.12, к 1
Гарантийный период:	1 год
Информация о сервисных центрах:	www.harman.com/ru тел. +7-800-700-0467
Срок службы:	5 года
Товар сертифицирован	EAC
Дата производства:	Дата изготовления устройства определяется по двум буквенным обозначениям из второй группы символов серийного номера изделия, следующих после разделительного знака «-». Кодировка соответствует порядку букв латинского алфавита, начиная с января 2010 года: 000000-MY0000000, где «М» - месяц производства (А - январь, В - февраль, С - март и т.д.) и «У» - год производства (А - 2010, В - 2011, С - 2012 и т.д.).

Используйте устройство только по прямому назначению в соответствии с предоставленной инструкцией. Не пытайтесь самостоятельно вскрывать корпус товара и осуществлять ремонт. В случае обнаружения недостатков или дефектов, обращайтесь за гарантийным обслуживанием в соответствии с информацией из гарантийного талона. Особые условия хранения, реализации и (или) транспортировки не предусмотрены. Избегайте воздействия экстремальных температур, длительного воздействия влаги, сильных магнитных полей. Устройство предназначено для работы в жилых зонах. Срок годности не ограничен при соблюдении условий хранения. Пожалуйста, не утилизируйте устройства с литий-ионными аккумуляторами вместе с бытовыми отходами.

重要安全指引

1. 请阅读以下指引。
2. 请保留以下指引。
3. 请留意所有的警示信息。
4. 请遵守所有指引。
5. 只可使用干燥织布擦拭本设备。
6. 请勿堵住任何通风口。请严格按照制造商提供的指引安装设备。
7. 请勿在热源附近安装本设备,如发射器、电热器、火炉或其他能够产生热量的设备(包括功放)。
8. 只可使用制造商指定的配件。
9. 只能使用制造商指定的或随本设备一起售出的活动机柜、支架、三脚架、支架或台面。使用活动机柜时,请小心谨慎以防机柜与设备侧翻。
10. 如需维护检修,请咨询相关有资质的维修人员。如有以下情形出现,必须对设备进行检修:电缆或插头损坏、液体渗入、异物掉入、淋雨受潮、无法正常运行或设备跌落等。

正确处置本产品(废弃电子电气设备)

该符号表示产品不能作为生活垃圾丢弃,而是应该送往适当的收集设施进行回收。正确的处置和回收利用有助于保护自然资源、人类健康和环境。关于本产品处置和回收的详细信息,请与您当地的市政管理机构、处置服务机构或您购买此产品的商店联系。



RoHS

本产品符合RoHS要求。
本产品符合关于限制在电气和电子设备中使用某些有害物质的2011/65/EU指令及其修正案。

REACH

REACH法规(第1907/2006号条例)涉及化学物质的生产和使用及其对人类健康和环境的潜在影响。依照REACH法规第33条第(1)款规定,如果某种物品含有《高度关注物质(SVHC)候选清单》(REACH候选清单)所列任何物质超过(每件物品重量的)0.1%,则供应商必须通知收货人相关情况。本产品按重量计算的“铅”物质(CAS号:7439-92-1)含量高于0.1%。

本产品发布时,REACH候选清单内除铅物质以外的其他物质含量均不超过物品重量的0.1%。

注:2018年6月27日,铅被列入REACH候选清单。REACH候选清单中列入铅并不意味着含铅材料会构成直接风险或限制对铅的使用。

目录

感谢您选择 JBL®	63
包装内容	63
扬声器摆放	64
左和右扬声器	64
中置声道扬声器	64
5.1 声道系统	66
7.1 声道系统	66
一般安装注意事项	67
将扬声器连接至功放	67
准备架空线缆	67
双线或双功放选项	68
LF 和 HF 网络连接	69
内置 LF 和 HF 网络连接的默认设置	69
无内置 LF 和 HF 网络连接的旁路设置	70
扬声器护理	70
规格	70
尺寸	71

感谢您选择 JBL®

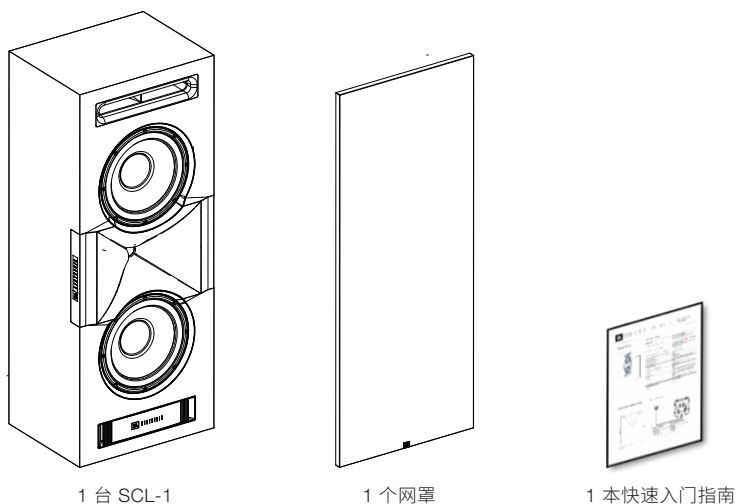
70 年来, JBL 一直参与音乐和电影录制及重现的方方面面, 包括现场表演, 监听室内、车辆或办公室播放的录音等等。

我们相信, 您所选择的这款 JBL Synthesis 扬声器能提供您所期待的每一个娱乐细节, 并且当您考虑为您的家庭、汽车或办公室购买其他音频设备时, 您一定会再次选择 JBL。

请花费少许时间, 访问我们的网站 www.jblsynthesis.com 并注册您的产品。注册后, 我们便可以将我们的最新动态发送给您, 并帮助我们更深入地了解我们的客户, 以制造能满足他们的需求和希望的产品。

所有功能和规格可能随时变更, 恕不另行通知。

包装内容



若您怀疑运送过程中产品被损坏, 请及时联系经销商。强烈建议您保留包装盒和包装材料, 以备日后使用。

扬声器摆放

要使家庭影院的音效达到一流水平，应重点关注扬声器的摆放。请仔细阅读以下指引以了解正确且最理想的摆放方法。

左和右扬声器

SCL-1 尤其适合作多声道系统的左前和右前主扬声器。由于它们发挥了主要的声音散播功能，它们应摆放在所有扬声器之间的中央位置，摆放高度应相等于所观看内容中表演者在屏幕上的高度，以便让听众觉得听到的声音由屏幕上的表演者发出。建议将这两个扬声器相对摆放，从收听位置看过去它们之间呈 60 度角，如此一来，这两个扬声器之间的距离便会相等于各自与听众的距离（图 1）。

SCL-1 的推荐安装方式是垂直安装，让倒相孔保持在顶部。（图 2）。

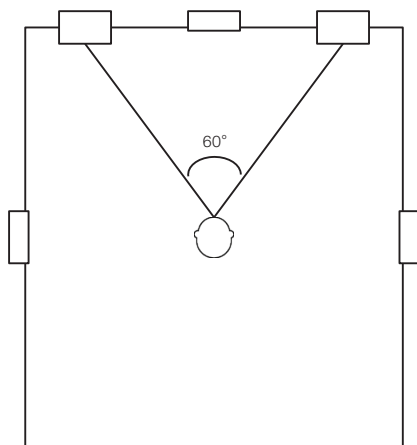


图 1

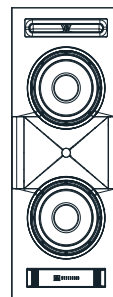


图 2

中置声道扬声器

使用中置声道扬声器时，SCL-1 可朝向垂直或水平方向。如果扬声器是配合穿孔幕料投射屏使用，请将扬声器安装在屏幕背面中央位置，让水平中轴尽可能对齐左和右声道扬声器的中轴（图 3）。

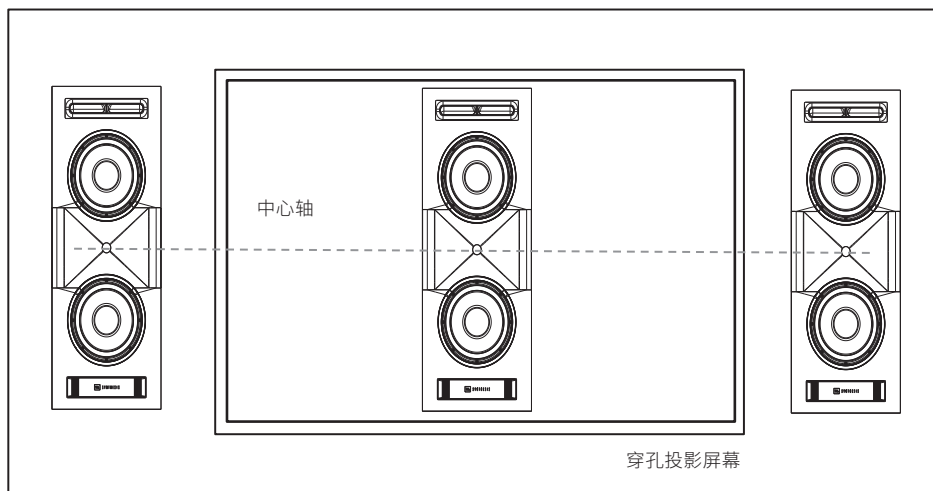


图 3

注意:某些穿孔幕料投射屏有一个从中间穿过屏幕框架的板条或横条(图 4)。对于这些情况,请确保板条或横条不会挡住喇叭。将扬声器朝垂直方向摆放,让板条或横条在扬声器正面穿过喇叭边缘,尽可能贴近中置低音扬声器。

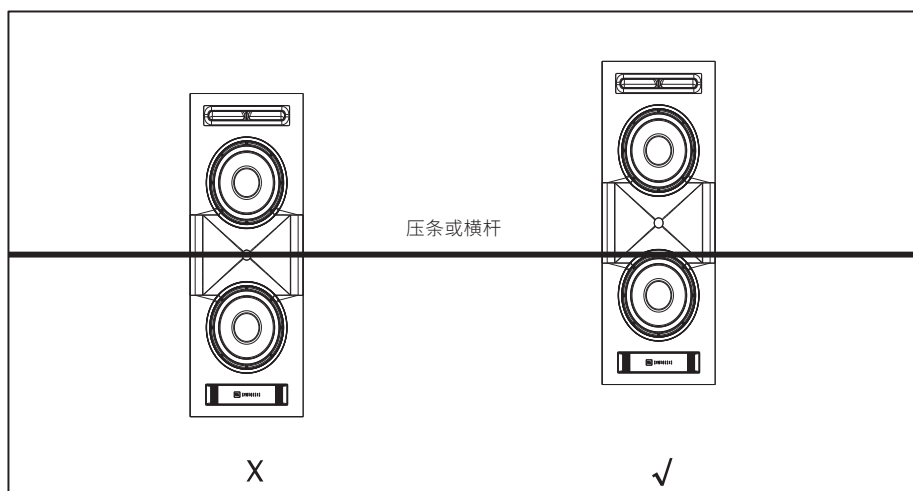


图 4

如果使用的是非穿孔幕料投射屏、LCD/等离子/OLED 显示屏,SLC-1 可朝向水平方向,安装在视频显示屏正下方或正上方,并尽可能贴近显示屏(图 5)。

注意:尽可能确保将中置、左和右扬声器摆放在相同高度,这是极其重要的。中置声道扬声器的喇叭,与左和右扬声器的喇叭的高度距离不应超过 2 英尺 (61cm)。这能够确保“声音平移”的“定位完整性”,使声音听起来就像是从小移动到中间再移动到右边。如果节目的声音还会上下移动,这可能会影响耳朵听到的声音平移效果。为减少和中置扬声器的高度差异,左和右声道扬声器应稍微放低一点。(图 5)。

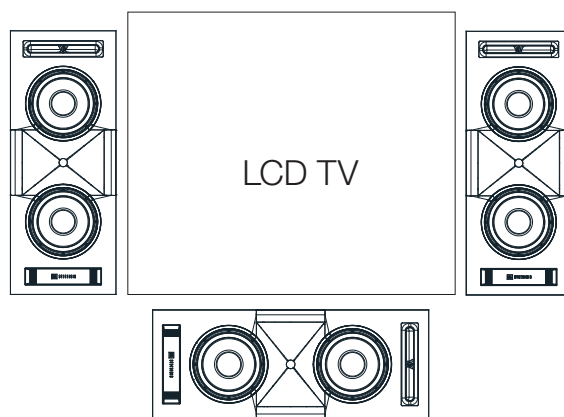


图 5

5.1 声道系统

环绕声扬声器应摆放在侧面墙壁上, 并且不应比观看席第一排更靠近屏幕。如果有两排座席, 请将环绕声扬声器摆放在中间。环绕声扬声器的摆放高度应高于座席区域, 至少比耳朵(坐下时)高 2 英尺(请参阅图 6)。

注意:

请咨询您的授权 **JBL Synthesis** 经销商, 了解环绕声扬声器的产品选项

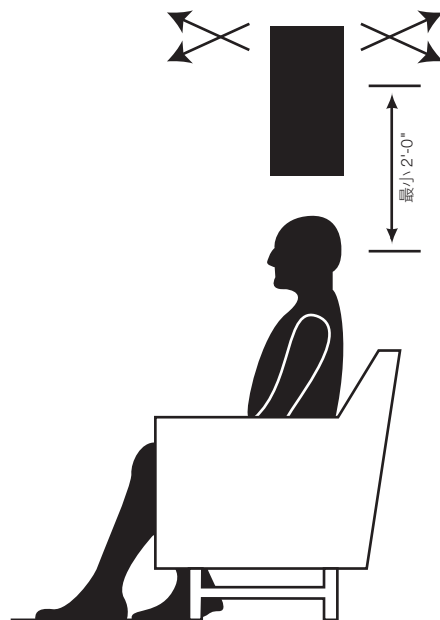


图 6

7.1 声道系统

在一套 5.1 声道系统中, 除环绕声扬声器外, 再在后方摆放多两台扬声器, 便组成一套 7.1 声道系统。如果在房间内使用, 两台额外的扬声器应放置在后墙之上或附近。(图 7)。

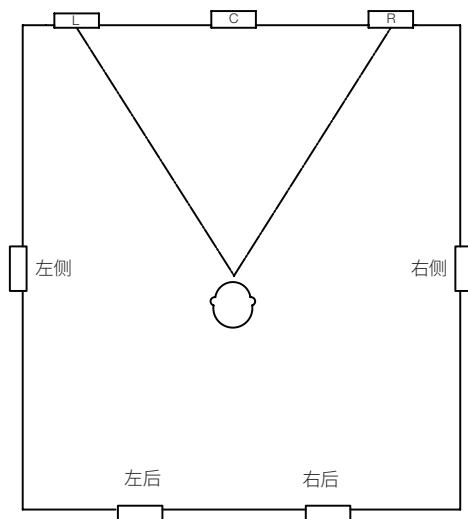


图 7

一般安装注意事项

1. 找出连接至外壳背面和挡板网络的所有布线连接。
2. 安装前, 先选好布线方式(单线、双线、双功放)。

将扬声器连接至功放

要将 Synthesis SCL-1 扬声器连接至功放或接收器, 请使用两个导体的绝缘扬声器线缆。

线缆长度	建议尺寸
最长 20 英尺	14 号线
最长 30 英尺	12 号线
30 英尺以上	10 号线

SCL-1 弹簧式接线柱最大可支持 10 号 AWG 标准线缆。

准备架空线缆

1. 确定功放到每组扬声器(前置、环绕声、后环绕声)中最远的一个扬声器的距离。
2. 对于同一组中的所有扬声器, 请让它们的架空线缆长度相同, 即使其中一个扬声器比最远的一个更靠近功放, 以确保适合的声音平衡。如果打算使用双功放或双线方式, 请预留一定长度的线缆。
3. 沿着墙壁, 将线缆铺设至安装位置。
4. 在每个导体的两端, 剥去 3/8" 绝缘物, 并将每组标准线缆拧在一起, 使其变成一束紧密缠绕在一起的螺旋线束。
5. 扬声器和电子设备终端都有对应的正极 (+) 和负极 (-) 端子。大多数扬声器和电子设备制造商, 包括 JBL, Inc., 都会使用红色表示 (+) 端子, 黑色表示 (-) 端子。请先确认清楚, 再进行连接。

所有扬声器采用相同的连接方法, 这一点非常重要: 将扬声器的 (+) 端子连接至功放的正 (+) 端子, 并将扬声器的 (-) 端子连接至功放的 (-) 端子。如果系统中任意两个扬声器在布线时出现“异相” (+ 连接至 - 和 - 连接至 +), 可能会导致声音单薄、低音微弱且声场成像效果低下。

请找出每对扬声器线缆的两个导体之间在外观上的差异。外观差异包括颜色的差异(铜线或银线); 一个导体中有一串纱线; 外部绝缘物某部分有一个薄薄的、凸起的肋条; 或者外部绝缘物某部分有一个印刷标志。两条绞线哪一条连接到扬声器和功放的正 (+), 哪一条连接到 (-), 这并不重要, 因为所有扬声器都是采用相同的连接方法, 正极 (+) 连接至正极 (+), 负极 (-) 连接至负极 (-) (图 8)。

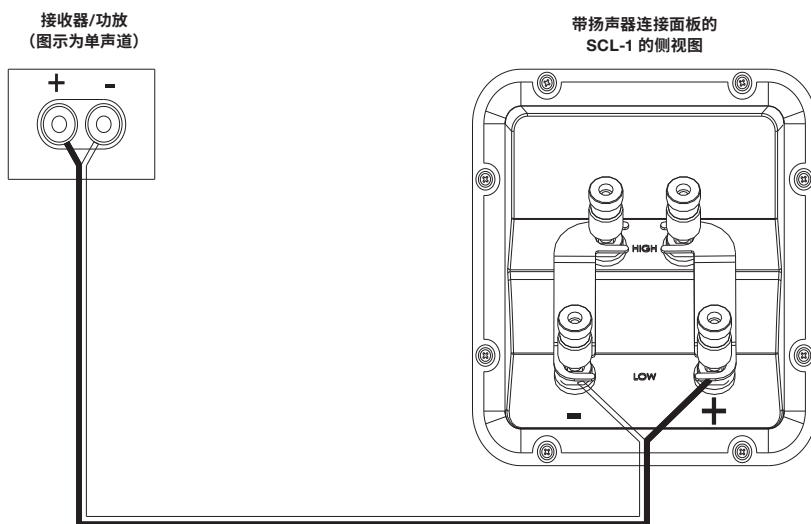


图 8

双线或双功放选项

SCL-1 有两套连接器, 可进行双线或双功放操作。

1. 对于每个采用双线连接的扬声器, 切开两对线缆。
2. 标记线缆对的两段, 用于低频的标记为 "LF", 用于高频的标记为 "HF"。然后将两套线缆铺设至安装位置。
3. 将标记为 "HF" 的一对线缆连接至扬声器的 "HF" 输入; 将标记为 "LF" 的一对线缆连接至扬声器的 "LF" 输入。(图 9)
4. 在安装将使用双线或双功放的扬声器之前, 请先松开端子护盖上的两条镀金跳线带。将带子安全存放起来, 以备将来使用。一定要拧紧 LF 线和 HF 线的端子。(图 9)
5. 继续按照本手册相应指引以安装机背盒和扬声器。

当心： 请勿在连接跳线带的情况下以双线方式连接到扬声器。可能会造成严重的功放损坏、人身伤害或其他财产损失。

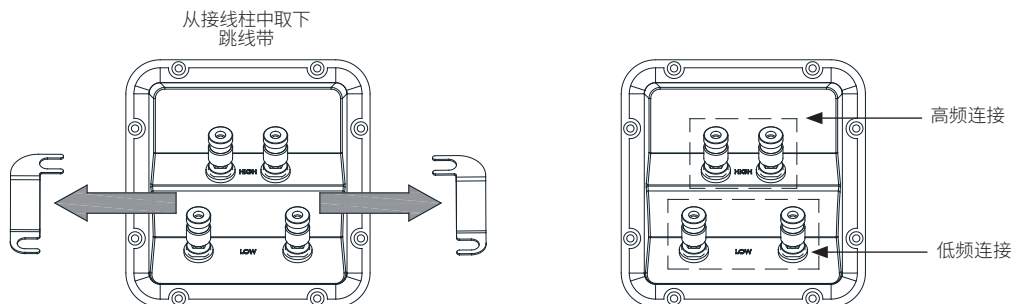


图 9

双线连接

当扬声器的高频和低频输入由来自同一功放声道的两根不同线缆驱动时, 功放和扬声器系统采用双线连接。通常使用不同类型的线缆进行连接。低频时通常使用高电流容量线缆或对于需要低音的用户音效更好的线缆, 高频时通常使用低电感线缆或对于需要高音的用户音效更好的线缆。两条线缆都连接到相同的功放输出。一些人报告说这种连接方式有一定程度的改善。

要双线连接 SCL-1, 请根据下图连接扬声器:

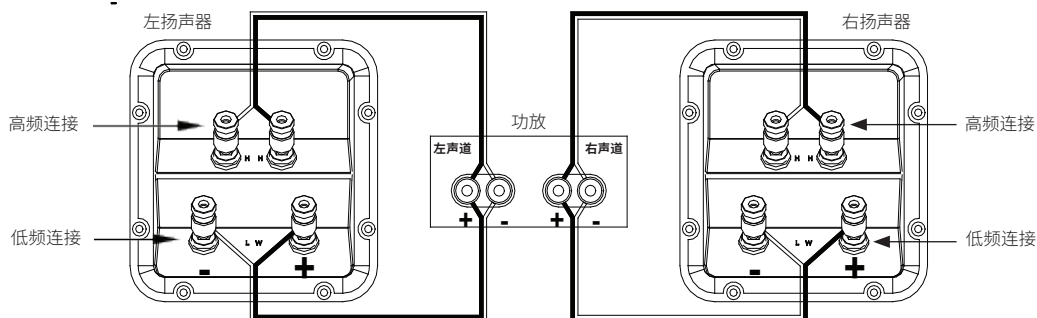
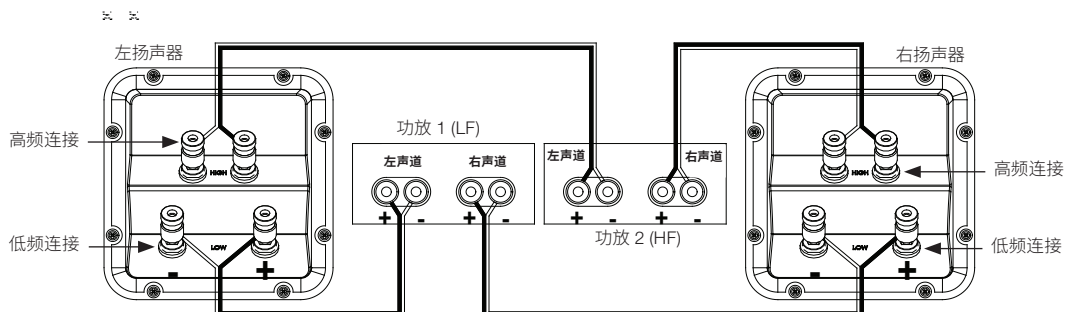


图 10

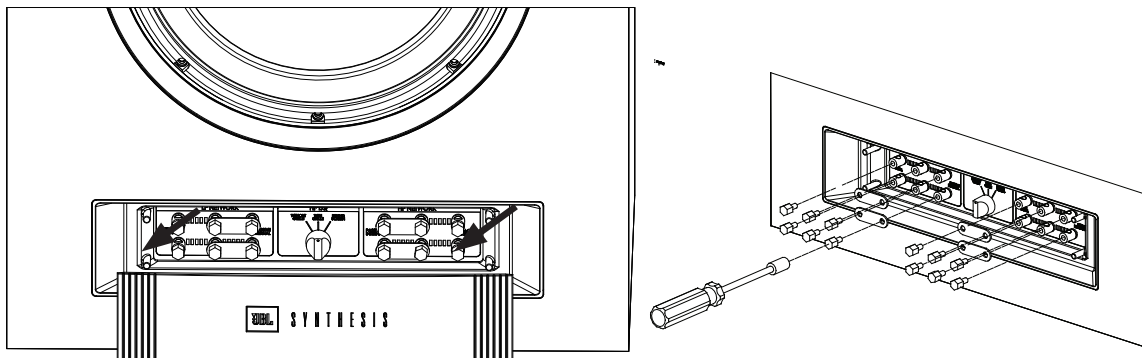
双线和双功放连接 (续) :

双功放连接

当一个功放的一个声道用于高频,一个功放的一个声道用于低频时,功放和扬声器系统为双功放连接。一个二分频扬声器可以使用立体声功放的两个声道。选择更适合不同带宽的功放声道和线缆可以产生显著的改善。要双功放连接 SCL-1, 请根据下图连接扬声器:



LF 和 HF 网络连接



注意:

为避免因短路杆安装螺丝松动而造成电气接触不良,请确保螺丝安装牢固。但是,如果过度拧紧,有可能会损坏端子本身。请仅用手以合理的扭矩拧紧螺丝。

内置 LF 和 HF 网络连接的默认设置

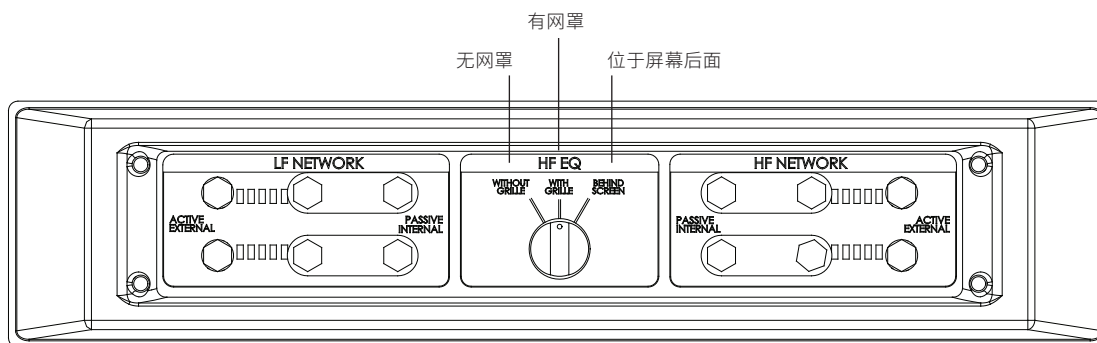


图 11

无内置 LF 和 HF 网络连接的旁路设置

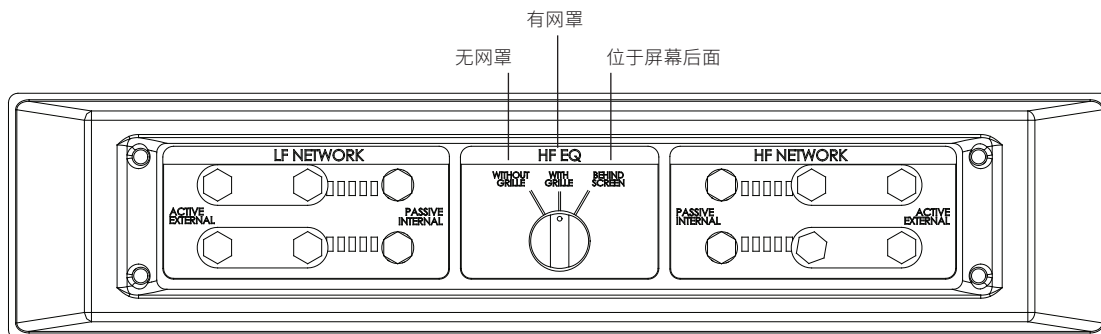


图 12

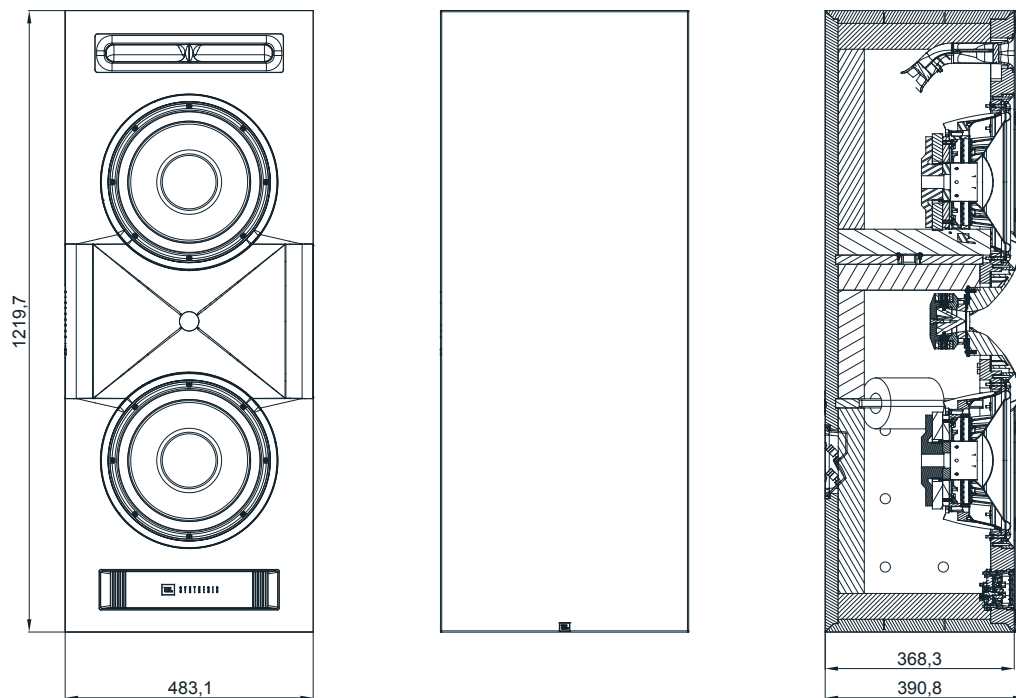
扬声器护理

- 擦拭音箱时，请使用洁净、干燥的纤维布。湿布可能会使音箱涂层变得黯哑。请勿在音箱上使用挥发性溶液，如苯、油漆稀释剂或酒精。
- 请勿在音箱附近喷洒杀虫剂。
- 要除去网罩纤维上的灰尘，请使用吸尘器并将吸力设置为低。
- 请勿将网罩放在水中刷洗，这会使网罩掉色或使网罩表面变得不平整。
- 如果低音扬声器锥盆的表面积尘太多，您可以用柔软、干燥的毛笔或油漆刷仔细地扫除。请勿使用湿布。

规格

扬声器类型	二分频室内扬声器
低频驱动器尺寸和材料	双 12 英寸(300 mm) 黑碳纤维素复合锥盆 (C4) 铸框式低音单元
高频驱动器尺寸和材料	3" (75 mm) 双环 Teonex® 环形振膜压缩驱动单元，其中双钹电机结构与 High-Definition Imaging (HDI™) 喇叭耦合
建议功放功率，完整带宽	500 WRMS, 最小值
建议功放功率，80 Hz 分频	500 WRMS, 最小值
标称阻抗	4 欧姆
扬声器灵敏度	94 dB/2.83 V/1 m
频率响应	40 Hz - 24 kHz (-6 dB), 三阶 LF 滚降
分频频率	775 Hz
覆盖范围, -6 dB @ 10 kHz	约 120 度水平 x 100 度垂直
覆盖范围, -6 dB @ 20 kHz	约 90 度水平 x 70 度垂直
音箱类型	互补低音校准系统 (CBAS™)
控件	3 个位置 – 无网罩、有网罩或在屏幕后面
输入类型	双套镀金弹簧式接线柱
产品尺寸 (带网罩)	48.02" 高 x 19.02" 宽 x 15.4" 厚 (1219.7 mm 高 x 483.1 mm 宽 x 390.8 mm 厚)
产品重量 (带网罩)	177.5 lb (80.5 kg)
外饰	黑色乙烯基

尺寸



产品中有害物质的名称及含量

部件名称	目标部件	有害物质或元素					
		铅 (Pb)	汞 (Hg)	镉 (Cd)	六价铬 (Cr(VI))	多溴联苯 (PBB)	多溴二苯醚 (PBDE)
框体	外壳, 面板, 背板等	○	○	○	○	○	○
零部件	喇叭, 电容, 连接器	X	○	○	○	○	○
附件	连接线, 说明书, 包装等	○	○	○	○	○	○

本表格依据 SJ/T 11364 的规定编制

○: 表示该有害物质在该部件所有均质材料中的含量均在 GB/T 26572 规定的限量要求以下。

X: 表示该有害物质至少在该部件的某一均质材料中的含量超出 GB/T 26572 规定的限量要求。



在中华人民共和国境内销售的电子电气产品上将印有“环保使用期”(EPU)符号。
圆圈中的数字代表产品的正常环保使用年限。

重要な安全上の注意

1. 説明書を読んでください。
2. 手順を守ってください。
3. 全ての警告に留意してください。
4. 全ての指示に従ってください。
5. 乾いた布のみで手入れをしてください。
6. この製品は野外状況でのみ操作を行うべきです。キャリーバッグ、ポケット、財布または寝具内のような包まれた換気されていない空間で操作してはいけません。これらの指示に従わないと、オーバーヒートにより製品が破損する場合があります。
7. 強い日差しによる熱、または他の種類の熱を含む高温環境で本機を保管しないでください。
8. ケガのリスクを軽減するため、この製品をお子様の近くで使用する場合は目を離さないようにする必要があります。
9. この機器を出力定格を超えて使用しないでください。定格を超える過負荷の出力は火災または人体損傷のリスクをもたらすことがあります。
10. 破損または改造された電力源を使用しないでください。この製品に対する滴、へこみ、摩耗またはその他の衝撃に注意してください。何らかの原因によるへこみ、穴、割れ目、変形、または腐食など、この製品に損傷がある場合は使用を中断してください。メーカーにお問い合わせください。



本製品の適切な廃棄(電気&電子機器の廃棄)

この記号は本製品を家庭ごみとして廃棄することを禁止し、リサイクル用に適切な回収施設に送る必要があるという意味です。適切な廃棄とリサイクルは天然資源の保護、人体の健康、環境の保護に役立ちます。この製品の廃棄とリサイクルの詳細については、地域の地方自治体、廃棄サービス業者、またはこの製品を購入した販売店にお問い合わせください。



RoHS

この製品はRoHS指令に準拠しています。

この製品は、電気・電子機器に含まれる特定有害物質の使用制限に関する2011/65/EU指令およびその修正条項に準拠しています。

REACH

REACH(規則No 1907/2006)は、化学物質の製造と使用、およびそれが人体の健康と環境に与える潜在的な影響に関する規則です。REACH規則の33(1)条では、ある成形品が重量当たり0.1%を超える高懸念物質(SVHC)候補のリスト(「REACH候補のリスト」)に含まれている物質を含有している場合、供給者は受領者にそのことを告知する必要があるとしています。本製品は重量当たり0.1%を超える濃度の「鉛」(CAS-No. 7439-92-1)を含有しています。

なお、発売時点で本製品には、REACH候補のリストにある物質のうち、鉛以外は重量当たり濃度0.1%超を含有している物質はありません。

注:2018年6月27日に、鉛はREACH候補のリストに追加されました。このことは、REACH候補リストの鉛を含有する原材料がただちに人体へのリスクになる、また使用の許可を制限するという意味ではありません。

目次

JBL®をお選びいただき、ありがとうございます	73
パッケージの中身	73
スピーカーの設置	74
左右のスピーカー	74
センターチャンネルスピーカー	74
5.1チャンネルシステム	76
7.1チャンネルシステム	76
設置時の一般的な注意点	77
スピーカーのアンプへの接続	77
接続ワイヤーを準備する	77
バイワイヤーまたはバイアンプオプション	78
LFおよびHFのネットワーク接続	79
内蔵のLFおよびHFネットワーク接続の初期設定	79
内蔵のLFおよびHFネットワーク接続なしのバイパス設定	80
スピーカーの手入れ	80
仕様	81
寸法	81

JBL®をお選びいただき、ありがとうございます

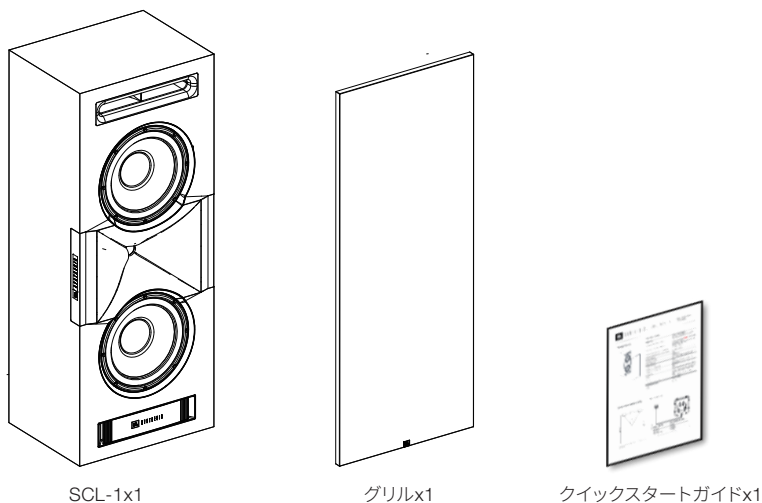
JBLは、70年以上の間ライブパフォーマンスからご家庭や車、オフィスなどで再生する音楽のスタジオ収録のモニタリングまで、あらゆる音楽と映画のレコーディングおよび再生シーンに関わってきました。

選んでいただいたこのJBL スピーカーは、お客様が期待するあらゆる楽しい雰囲気をご提供できると確信しています。そして、再度ご家庭や車、オフィスにオーディオ機器の追加購入を検討される際に再びJBLを選択されることを望んでいます。

ご購入いただいた製品は当社のウェブサイトwww.jblsynthesis.comで製品登録をおこなってください。そうすれば、当社の最新情報をお届けすることができ、お客様に対する理解を深め、そのニーズと期待に応える製品を作るのに役立ちます。

全ての特性と仕様は予告なしに変更されることがあります。

パッケージの中身



発送時に損傷があったと思われる場合は、ただちに販売店にご連絡ください。後で使用できるように、箱と梱包材を取っておくことをお勧めします。

スピーカーの設置

映画館に匹敵するような音響性能をご家庭で実現するには、スピーカーの適切な設置が不可欠です。正しく適切な設置のアドバイスをを知るには、以下のセクションをお読みください。

左右のスピーカー

SCL-1は、マルチチャンネルシステムのフロント左右のメインスピーカーとしてお使いいただく場合は最高の選択です。SCL-1スピーカーはサウンドを一定の範囲で最大限に行き渡らせるように設計されているので、俳優の声が画面上から直接出ていると感じられるように、スピーカーの中央が画面とほぼ同じ高さになるように設置します。スピーカー同士を離して、リスニング位置から見て約60°の角度で設置し、スピーカー間の距離がリスナーからの各スピーカーの距離と同じになる(図1)のが理想です。

SCL-1の推奨される設置は縦向きで、ポートを上面にすることです。(図2)。

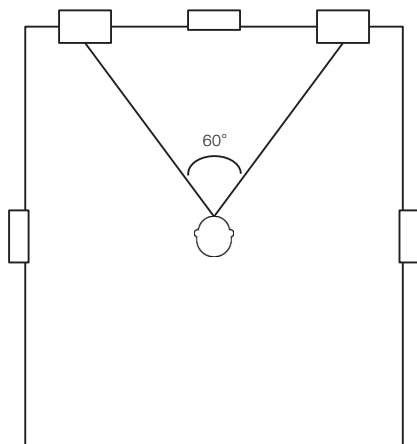


図1



図2

センターチャンネルスピーカー

SCL-1は、センターチャンネルスピーカーとして使用する場合、縦向きまたは横向きのどちらかにすることができます。スピーカーが透過型プロジェクションスクリーンで使われる場合は、左右のチャンネルスピーカーの中心軸とできるだけ揃えるように、スクリーンの水平方向軸の中央裏側に設置します(図3)。

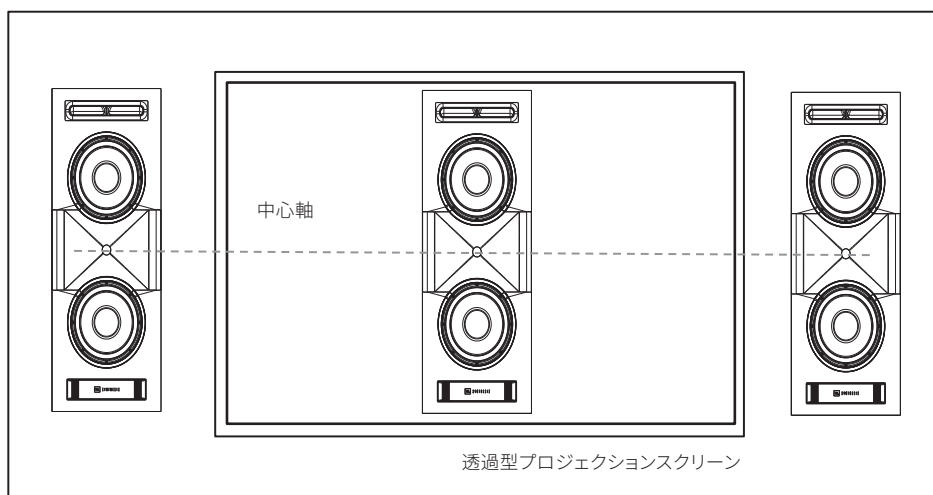


図3

注:透過型プロジェクションスクリーンには、真ん中にスクリーンフレームを横切る当て木のバーまたはクロスバーが存在する場合があります(図4)。その場合は、バーがホーン邪魔になっていないことをご確認ください。バーがスピーカーの前の、センタールーファースに最も近いほうのホーンの端を横切るようにスピーカーを縦向きに設置します。

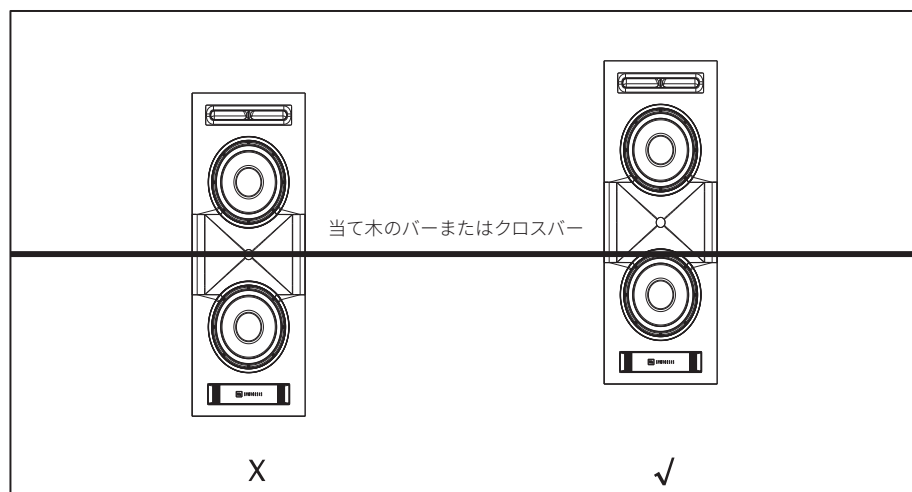


図4

非透過型プロジェクションスクリーンの場合、設置時にLCD/プラズマ/OLEDディスプレイが使用され、SLC-1は直接スクリーンの下または上に横向きにし、できるだけビデオディスプレイに近づけて使うことができます(図5)。

注:中央、左右のスピーカーを同じ高さに、できるだけ近づけて置くことが非常に重要です。センターチャンネルスピーカーのホーンは左右スピーカーのホーンよりも61cm超高く、または低くします。これにより、サウンドが左から中央、右の方に流れているように感じられる「サウンドパン」の正確な定位が維持されます。プログラムサウンドが上下に移動しているように感じられる場合も、リアルなパン効果の感覚を壊してしまう可能性があります。センタースピーカーとの高さの違いを軽減するには、左右チャンネルスピーカーをわずかに低くします。(図5)。

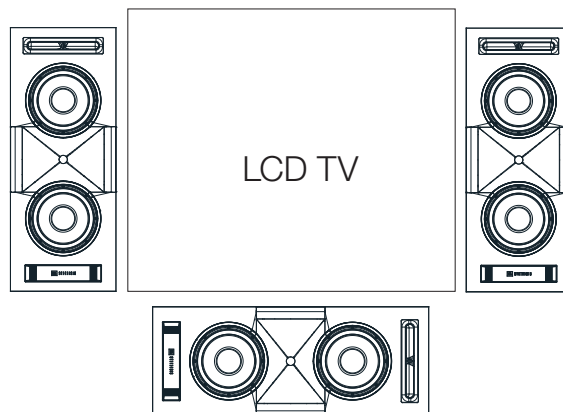


図5

5.1チャンネルシステム

サラウンドスピーカーは、視聴用の一番前のイスよりもスクリーンから離れた横の壁に設置します。イスが2列ある場合は、スピーカーはその2列の間になるように設置します。サラウンドスピーカーは座る位置より高いところ、座席の耳の高さよりも最低61cm上に設置します(図6)。

注:

サラウンドスピーカーの製品オプションについては、お近くの認定JBL Synthesis販売店にご相談ください。

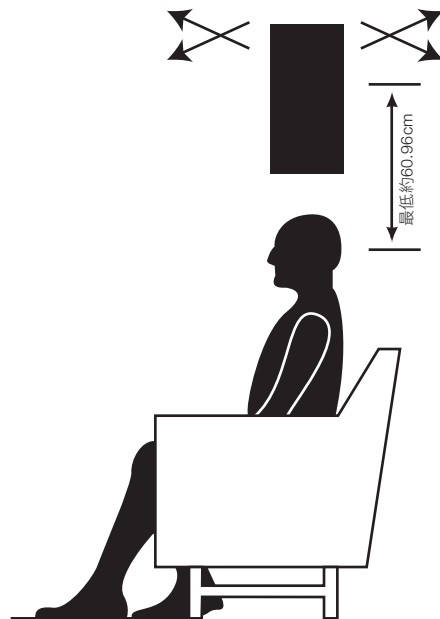


図6

7.1チャンネルシステム

7.1チャンネルシステムでは、5.1チャンネルシステムのサラウンドスピーカーに加えて、背面に置く2台のスピーカーが追加されます。部屋の中で使用する場合、2台の追加スピーカーはリアウォールに設置します。(図7)。

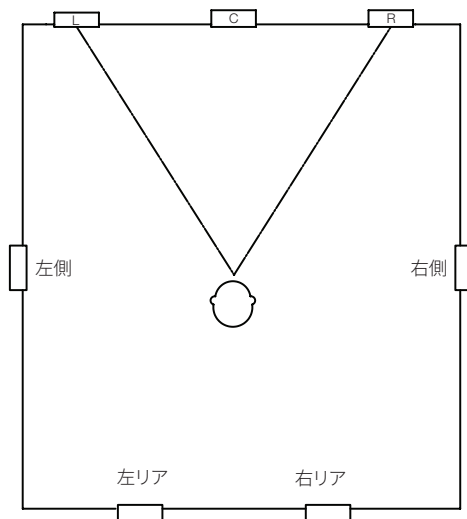


図7

設置時の一般的な注意点

1. リアエンクロージャーとバッフルネットワークへの全配線接続を確認します。
2. 設置の前に、配線オプション(シングルワイヤー、バイワイヤー、バイアンプ)から選択します。

スピーカーのアンプへの接続

Synthesis SCL-1スピーカーをパワーアンプまたはレシーバーに接続するには、二心線の導線の絶縁されたスピーカーワイヤーを使用します。

ケーブルの長さ	推奨サイズ
最高約6.09m (20フィート)	14ゲージ
最高約9.1メートル (30フィート)	12ゲージ
約9.1メートル超 (30フィート)	10ゲージ

SCL-1のスピーカー端子は最高#10 AWGの芯線の太さまで対応しています。

接続ワイヤーを準備する

1. アンプと、各グループ(フロント、サラウンド、リアサラウンド)の最も離れているスピーカー間の距離を決定します。
2. 適切なチャンネルバランスを維持するため、1台のスピーカーが、最も遠いスピーカーよりもアンプにかなり近いとしても、各グループの全スピーカー用の接続ワイヤーを同じ長さにします。バイアンプかバイワイヤーのどちらかの方法を選択する場合は、バイアンプまたはバイワイヤー用の追加のワイヤーを準備することを忘れないでください。
3. 設置位置まで、壁沿いにワイヤーを通します。
4. 各導線の両端から絶縁部分を約9.53mmはがして、各撚り線をひねってしっかりととめます。
5. スピーカーと電気端子はプラス電極(+)とマイナス電極(-)端子に対応しています。JBLを含む多くのスピーカーや電子機器メーカーは(+)端子に赤を使い、(-)端子に黒を使って示しています。接続前にご確認ください。

全てのスピーカーを同様に接続することが重要です。スピーカーの(+)をアンプの(+)に、スピーカーの(-)をアンプの(-)に接続します。システム内で、1台のスピーカーをもう1台のスピーカーと「逆相」(+と-および-と+)で配線すると、厚みのないサウンド、弱い低音、貧弱なイメージングになってしまいます。

スピーカーワイヤーの一对になっている、二心線の導線の見た目の違いを確認します。区別するための印は、異なる色のワイヤー(銅色または銀色)、1本の導線の撚り線、外側の絶縁体の一部にある薄く隆起したリブ、または外側の絶縁体の一部に印刷されたマークなどです。全スピーカーが全く同様にプラス電極(+)からプラス電極(+)、マイナス電極(-)からマイナス電極(-)に接続されていれば、2本の撚り線のどちらがスピーカーおよびアンプの(+)および(-)電極に接続されているかは問題ではありません(図8)。

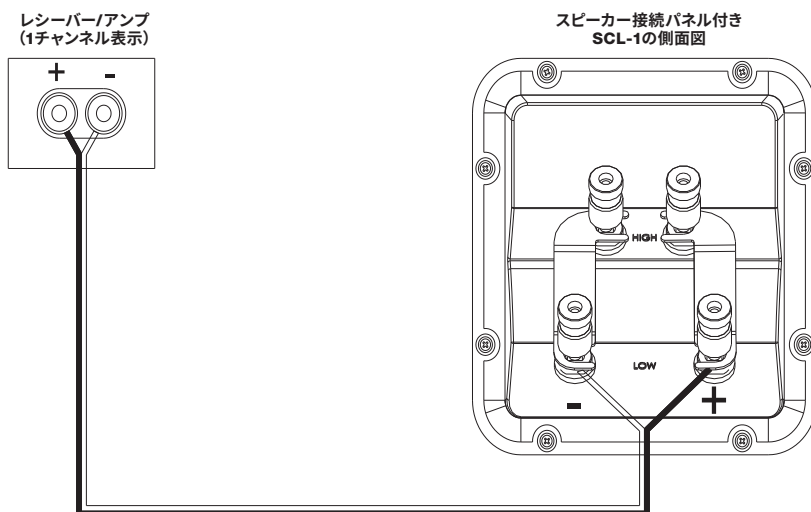


図8

バイワイヤーまたはバイアンプオプション

SCL-1には、バイワイヤーまたはバイアンプ操作ができるように、コネクタが2組あります。

1. バイワイヤースピーカー用に、二対のワイヤーになるように切ります。
2. 低周波用の1組のワイヤーの両端に「LF」と印をつけ、高周波用のワイヤーの両端に「HF」と印をつけます。次に、2組のワイヤーを取付位置まで伸ばします。
3. 「HF」の印のついたほうをスピーカーの「HF」入力に接続し、「LF」の印がついたほうを「LF」入力に接続します。(図9)
4. バイワイヤーまたはバイアンプでスピーカーを設置する前に、端子を緩めて端子カップ上の2つの金メッキジャンパーストラップを取り外してください。後で使用できるようにストラップを安全な場所に保管しておいてください。LFおよびHFケーブルを差し込んだ端子を確実に締めてください。(図9)
5. この取扱説明書の指示に従ってバックボックスおよびスピーカーの設置を進めます。

警告： ジャンパーストラップを取り付けたままスピーカーにバイワイヤー接続しないでください。重大なアンプの損傷、怪我、または他の物体の損傷につながる可能性があります。

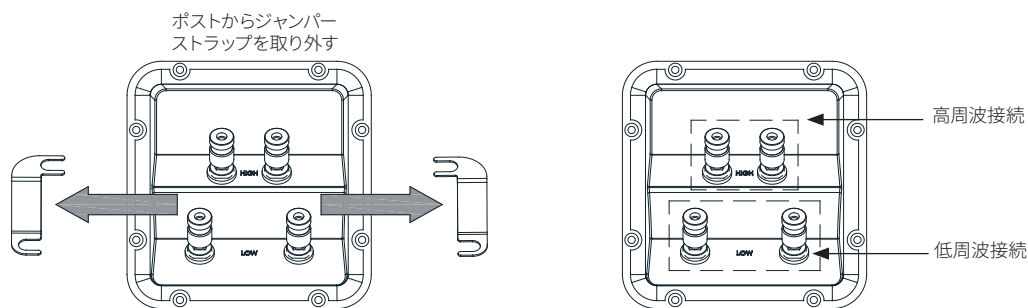


図9

バイワイヤリング

スピーカーの高周波と低周波入力が同一のアンプチャンネルから2つの異なるケーブルで作動している場合は、アンプとスピーカーシステムがバイワイヤリングされています。通常、接続には異なる種類のケーブルを使用します：高電流性能のケーブル、または低音が優れているケーブルは通常低周波用に使用され、低インダクタンスケーブル、または高音が優れているケーブルは高周波用に使用されます。どちらのケーブルも同一のアンプ出力に接続します。この配線により、適度に改善したという報告がいくつかあります。

SCL-1をバイワイヤリングするには、以下のイラストに従ってスピーカーを接続してください。

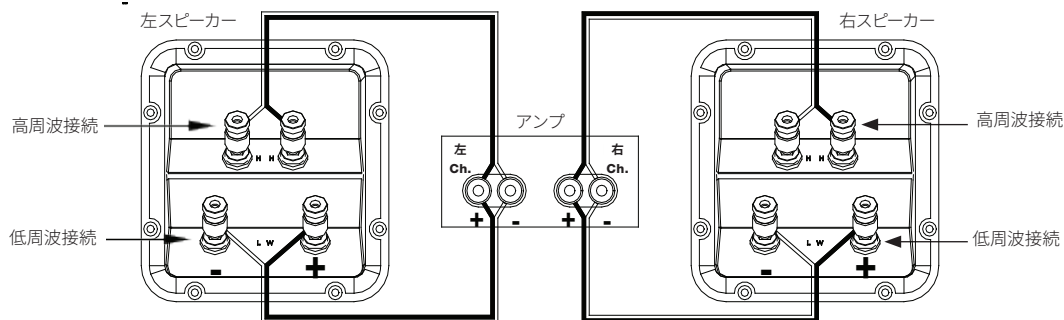
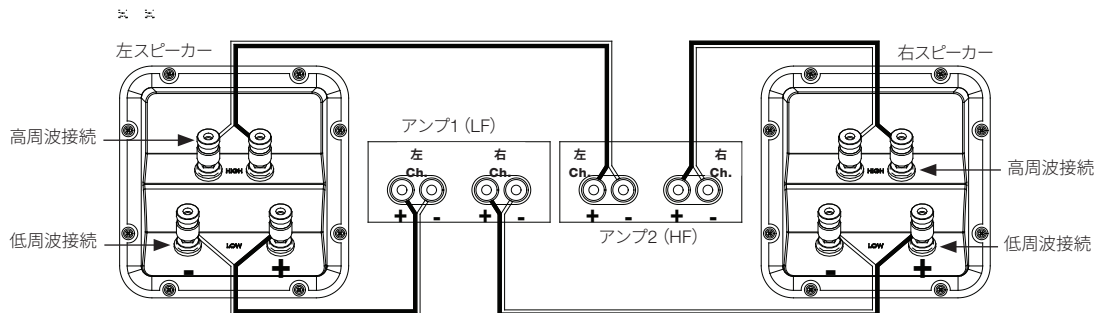


図10

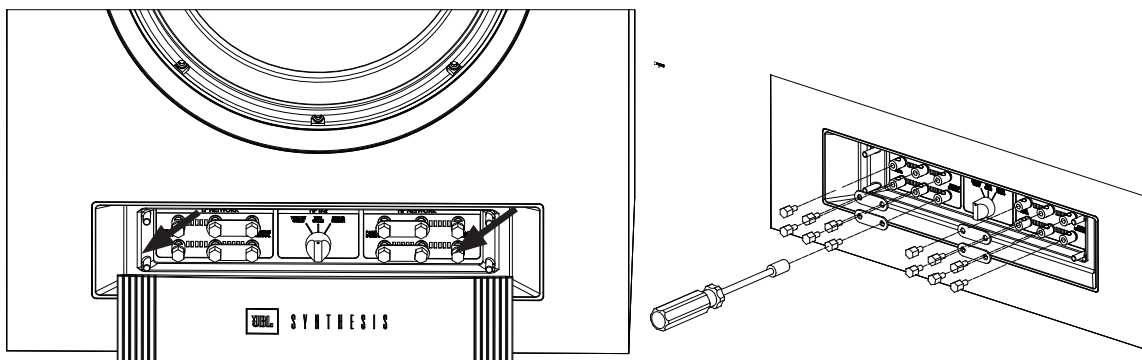
バイワイヤーおよびバイアンプ接続 (続き) :

バイアンプ配線

アンプの1チャンネルが高周波用に使用されていて、アンプのもう一つのチャンネルが低周波用に使用されている場合、アンプとスピーカーシステムはバイアンプ接続されています。1台の2ウェイスピーカーでステレオアンプから両方のチャンネルを使用することができます。異なる帯域幅向けに、より適切なアンプのチャンネルとケーブルを選択すると、はっきりした改善が見られることがあります。バイアンプ用にSCL -1を配線するには、以下のイラストに従ってスピーカーを接続してください。



LFおよびHFのネットワーク接続



注意:

ショートバーのねじの締め方が緩いことが原因の電気接触不良を避けるために、ねじがしっかり取り付けられていることをご確認ください。しかし、締めすぎると、端子そのものが損傷する危険があります。適切なトルクで手だけを使ってねじを締めてください。

内蔵のLFおよびHFネットワーク接続の初期設定

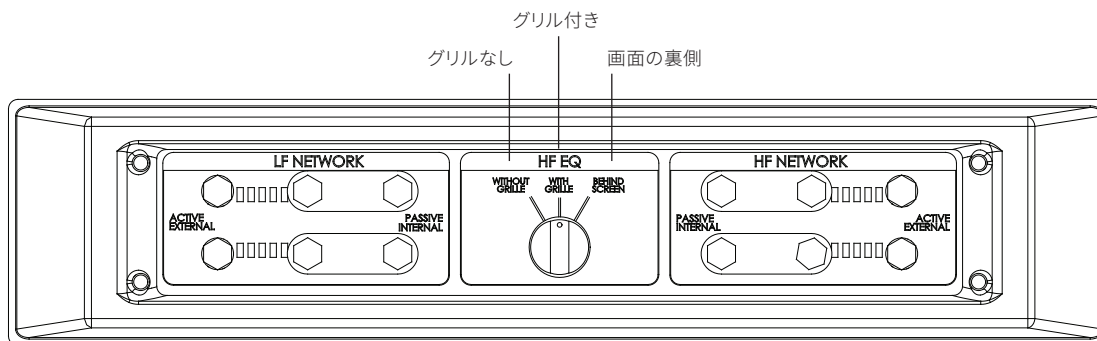


図11

内蔵のLFおよびHFネットワーク接続なしのバイパス設定

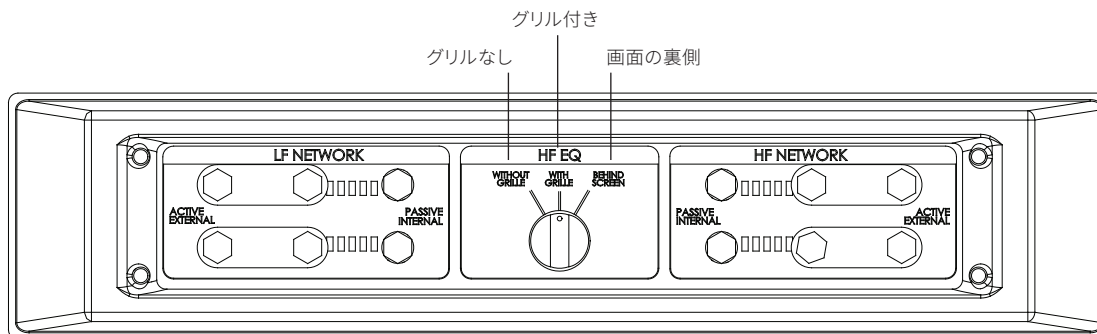


図12

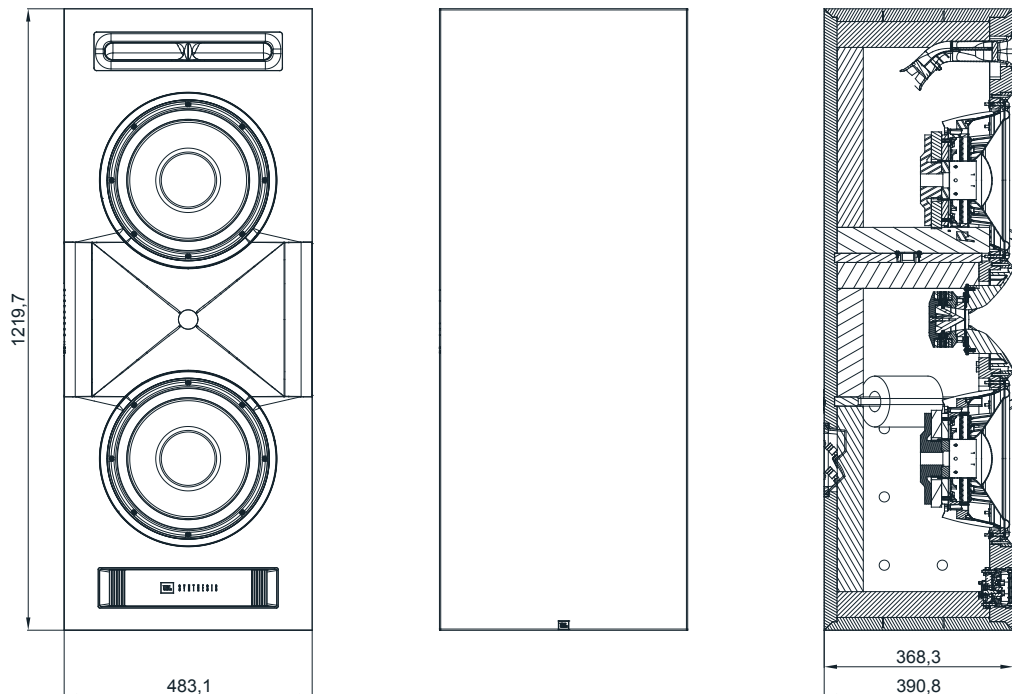
スピーカーの手入れ

- ほこりを取り除くために、清潔な乾いた布でキャビネットを拭いてください。湿った布はキャビネットの仕上げを曇らせることがあります。ベンジン、塗料用シンナーまたはアルコールなどの揮発性の薬品は使用しないでください。
- キャビネットの近くで殺虫剤をスプレーしないでください。
- グリルの布地からほこりを取り除くために、吸引力「低」にセットした電気掃除機を使用してください。
- グリルの色があせたり、色が均一でなくなる可能性があるため、グリルを水洗いしないでください。
- ウーファーコーンの表面にほこりがついた場合、柔らかく乾いた筆または絵筆を使えば、丁寧に掃除ができます。濡らした布を使わないでください。

仕様

スピーカータイプ	2ウェイインルームスピーカー
低周波ドライバーサイズと素材	12インチ(300mm) デュアルブラックカーボンセルローズコンポジットコーン(C4) キャストフレームウーファー
高周波ドライバーサイズと素材	高解像度イメージング(HDI™) ホーンに接続されたデュアルネオジウム駆動構造の75mmデュアル環状Teonex®リングダイアフラムコンプレッションドライバー
推奨アンプ出力、全帯域幅	500 WRMS、最低
推奨アンプ出力、80Hz クロスオーバーネットワーク	500 WRMS、最低
公称インピーダンス	4Ω
スピーカーの出力音圧レベル	94dB/2.83V/1m
周波数特性	40Hz~24kHz(-6dB)、3次LFロールオフ
クロスオーバー周波数	775Hz
有効範囲、-6dB@10kHz	水平方向に約120°x垂直方向に100°
有効範囲、-6dB@20kHz	水平方向に約90°x垂直方向に70°
エンクロージャータイプ	補完的低音調整システム(CBAS™)
操作	3つのポジション-グリルなし、グリル付き、または画面の裏側
入力タイプ	金メッキでバネ仕掛けのデュアルスピーカー端子
製品寸法(グリルを含む)	高さ1219.7mmx幅483.1mmx奥行390.8mm
製品重量(グリルを含む)	約80.5kg
仕上げ	黒塩ビ仕上げ

寸法



중요한 안전 지침

1. 본 지침을 읽어보십시오.
2. 본 지침을 보관하십시오.
3. 모든 경고에 주의를 기울이십시오.
4. 모든 지침을 준수하십시오.
5. 마른 천으로만 장치를 세척하십시오.
6. 환기 구멍을 막지 마십시오. 제조업체의 지침에 따라 본 기기를 설치하십시오.
7. 라디에이터, 열 조정 장치, 난로 또는 열이 발생하는 기타 기기 (앰프 포함) 등, 열원 근처에서 본 기기를 설치하지 마십시오.
8. 제조업체에서 지정한 부착물/액세서리만 사용하십시오.
9. 기기와 함께 판매되었거나 제조업체가 지정한 카드, 스탠드, 삼각대, 브래킷 또는 테이블만 사용하십시오. 카트를 사용할 경우 카드/기기 이동 시 넘어져 상해를 입지 않도록 주의하십시오.
10. 자격을 갖춘 담당자에게 모든 서비스를 요청하십시오. 전원 공급코드나 플러그 손상, 액체 유출 또는 기기에 물체 낙하, 빗물이나 습기에 기기 노출, 비정상적인 기기 작동 또는 기기 추락 등으로 기기가 손상을 입으면 기기를 수리해야 합니다.



올바른 제품 폐기 (전기·전자장비 폐기물처리 지침)
 이 기호는 제품을 생활폐기물로 배출해서는 안 되고, 재활용을 위한 적절한 수거 시설에 폐기해야 함을 의미합니다. 올바른 폐기 및 재활용은 천연자원, 인간의 건강과 환경을 보호하는 데 도움이 됩니다. 이 제품 폐기 및 재활용에 관한 자세한 내용은 지역 당국, 폐기물 처리 서비스 또는 제품을 구매한 매장에 문의하십시오.



RoHS

이 제품은 RoHS를 준수합니다.
 이 제품은 전기·전자장비에의 특정 유해 물질 사용 제한에 대한 지침 2011/65/EU 및 개정안사항을 준수합니다.

REACH

REACH(규정 No 1907/2006)는 화학적 물질의 생산 및 사용, 그리고 인체와 환경에 미치는 잠재적 영향에 대해 다룹니다. REACH 규정 33(1)조는 고위험성 우려 후보물질(SVHC, 'Substances of Very High Concern') 후보 목록 ('REACH Candidate List')에 등록된 물질이 품목별 중량의 0.1%를 초과하는 경우 공급업체가 수령인에게 알려야 한다고 명시합니다. 이 제품은 "납"(CAS-번호 7439-92-1) 및 중량의 0.1%를 초과하는 농도의 혼합물질을 포함합니다.

이 제품을 출시할 당시, 이 제품 중량의 0.1%를 초과하는 농도의 REACH 후보 목록 내 다른 물질(납 물질 제외)은 포함되지 않았습니다.

참고: 2018년 6월 27일, 납이 REACH 후보 목록에 추가되었습니다. REACH 후보 목록에 납이 포함된 것은 납 함유 물질이 즉각적인 위험을 야기한다는 의미가 아니며, 납의 사용 허용성에 제한을 두게 됩니다.

목차

JBL®을 선택해 주셔서 감사합니다.....	83
패키지 구성품.....	83
스피커 배치.....	84
좌측 및 우측 스피커.....	84
중앙 채널 스피커.....	84
5.1 채널 시스템.....	86
7.1 채널 시스템.....	86
일반 설치 관련 참고 사항.....	87
앰프에 스피커 연결하기.....	87
흑업 와이어 준비.....	87
이중 배선 또는 바이 앰프 옵션.....	88
LF 및 HF 네트워크 연결.....	89
내장형 LF 및 HF 네트워크 연결을 사용한 기본 설정입니다.....	89
내장형 LF 및 HF 네트워크 연결을 사용한 바이패스 설정입니다.....	90
스피커 관리.....	90
사양.....	91
치수.....	91

JBL®을 선택해 주셔서 감사합니다

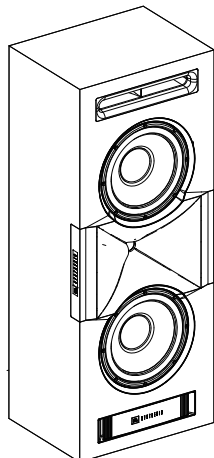
70년의 역사 동안 JBL은 실황 공연부터 가정, 자동차, 사무실에서 듣는 레코딩의 모니터링까지, 음악과 필름 녹화 및 재생 등 모든 부문에 참여했습니다.

여러분이 선택한 JBL Synthesis 라우드 스피커는 기대하는 모든 음질을 구현하여 완벽한 즐거움을 제공합니다. 앞으로 가정, 자동차 또는 사무실에 오디오 장비를 추가로 구입하실 경우 다시 한번 JBL을 선택하시게 될 것입니다.

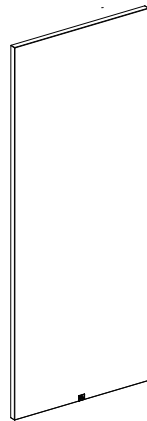
잠시 시간을 내어 웹사이트(www.jblsynthesis.com)에서 제품을 등록해주시십시오. 당사의 최신 기술을 알려드리고, 저희 고객을 더욱 잘 이해할 수 있어 고객의 요구와 기대에 부응하는 제품을 만드는 데 도움이 됩니다.

모든 기능 및 사양은 예고 없이 변경될 수 있습니다.

패키지 구성품



SCL-1 1개



그릴 1개



빠른 시작 가이드 1부

배송 손상이 있는 것으로 의심될 경우 대리점에 즉시 알려십시오. 다음에 사용할 수 있도록 상자와 포장재를 보관하는 것이 좋습니다.

스피커 배치

홈 시어터의 소닉 성능을 위해 라우드 스피커를 적절히 배치하는 것이 매우 중요합니다. 정확한 최적의 배치를 위해 다음 섹션을 읽어 보십시오.

좌측 및 우측 스피커

SCL-1은 다채널 시스템에서 좌측 및 우측 메인 스피커 역할을 할 수 있는 완벽한 선택입니다. 이 라우드 스피커는 사운드의 균일한 커버리지와 최대 확산을 위해 설계되었으므로 화면상 배우의 키와 거의 같은 위치로 스피커의 중앙에 배치하여 배우의 음성이 화면의 영상에서 직접 흘러나오는 것처럼 해야 합니다. 스피커는 청취 위치에서 볼 때 서로 약 60도 떨어지게 배치하여 스피커 사이의 거리가 청취자와 각 스피커 사이의 거리와 같게 하는 것이 좋습니다(그림 1).

SCL-1은 포트를 상단에 두고 수직으로 장착하는 것이 좋습니다. (그림 2).

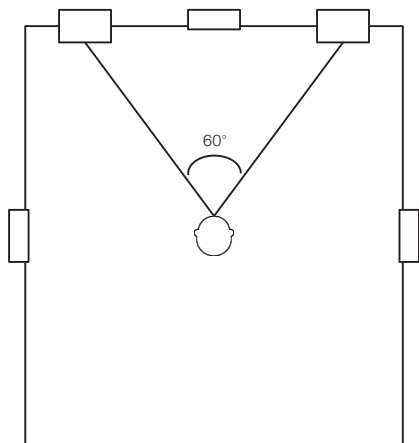


그림 1

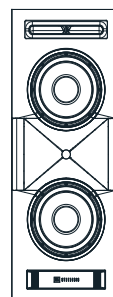


그림 2

중앙 채널 스피커

SCL-1은 중앙 채널 스피커로 사용될 때 세로 또는 가로 방향으로 맞출 수 있습니다. 스피커를 다공성 프로젝션 화면과 함께 사용 중인 경우 수평 중앙 축이 좌측 및 우측 채널 스피커의 중앙 축에 가능한 한 가깝게 정렬된 상태에서 화면 중앙 뒤에 장착해야 합니다(그림 3).

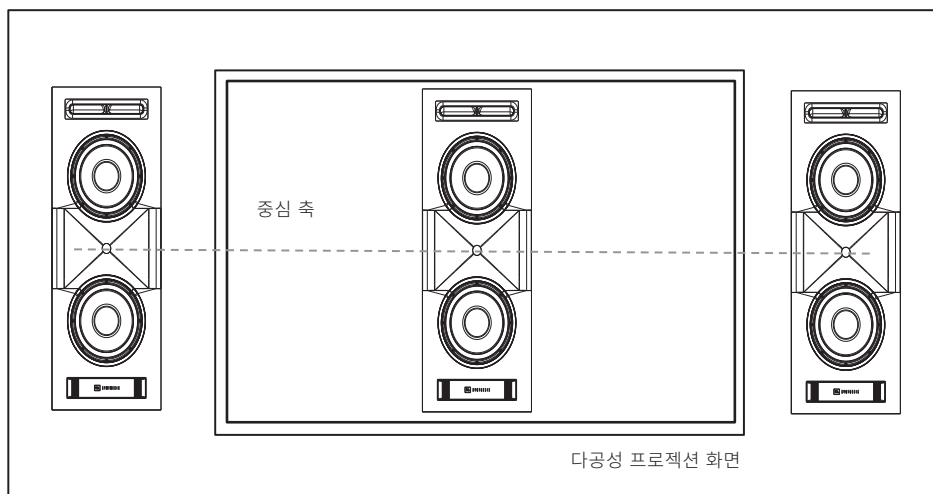


그림 3

참고: 일부 다공성 프로젝션 화면에는 화면 프레임 전체의 중앙에 배튼 바 또는 크로스바가 있습니다(그림 4). 그러한 경우 바가 혼을 막지 않도록 하십시오. 바가 중앙 우퍼에 가장 가까운 혼 가장자리의 스피커 앞에서 지나가도록 세로 방향 스피커를 배치하십시오.

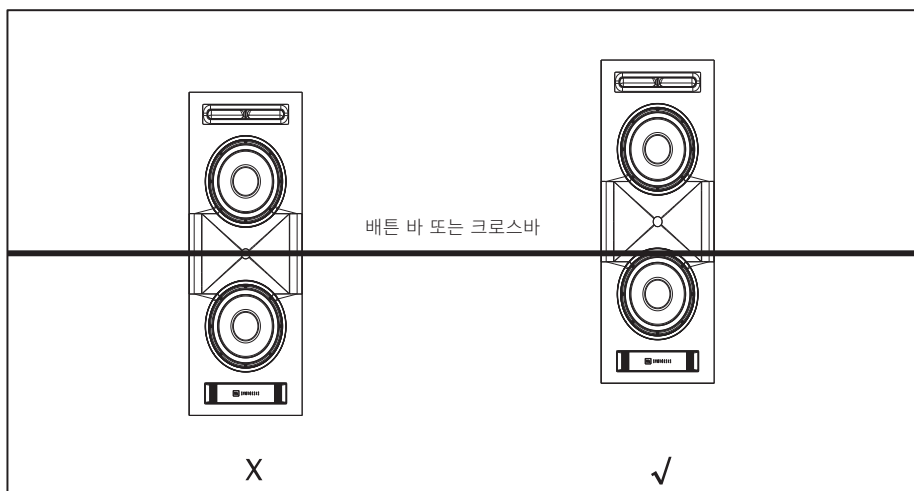


그림 4

비다공성 프로젝션 화면의 경우 LCD/플라즈마/OLED 디스플레이가 설치에 사용되며, SLC-1은 비디오 디스플레이 바로 아래나 위, 가능한 한 가까운 곳에 장착된 가로 방향으로 사용될 수 있습니다(그림 5).

참고: 중앙, 좌측, 우측 스피커를 가능한 한 같은 높이 가까이 배치하는 것이 매우 중요합니다. 중앙 채널 스피커의 혼은 좌우 스피커의 혼보다 61cm(2피트) 이하로 높거나 낮아야 합니다. 이렇게 하면 사운드가 좌측에서 중앙, 우측으로 이동하는 것처럼 들리는 "사운드 팬"의 정위 무결성이 보존됩니다. 프로그램 내용이 또한 상하 이동하는 것처럼 들리면 실제와 같은 패닝 효과를 없앨 수 있습니다. 중앙 스피커 사이의 높이 차이를 완화하려면 좌측 및 우측 채널 스피커를 약간 낮춰야 합니다. (그림 5).

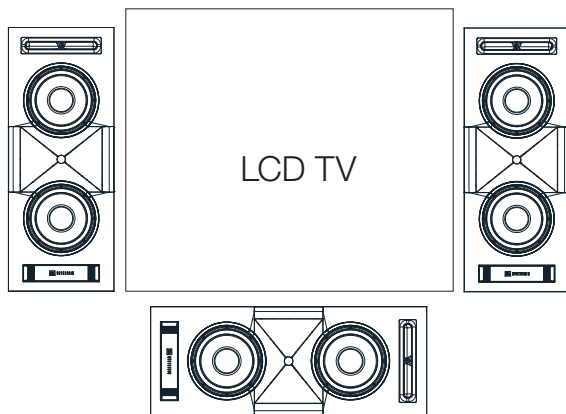


그림 5

5.1 채널 시스템

서라운드 스피커는 측면 벽에 시청석의 첫 번째 줄보다 화면에서 더 멀리 배치해야 합니다. 의자가 두 줄이라면 스피커가 두 줄 사이에 배치되어야 합니다. 서라운드 스피커는 좌석 구역보다 더 높고, 앉은 상태의 귀 높이보다 최소 61cm(2피트) 위에 배치해야 합니다(그림 6).

참고:

서라운드 스피커의 제품 옵션은 공식 **JBL Synthesis** 대리점에 문의하십시오.

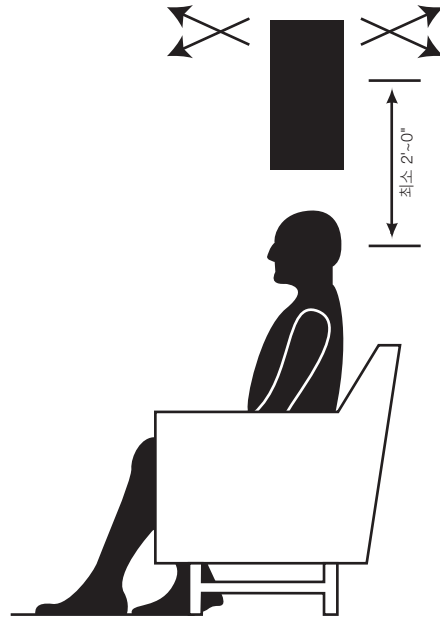


그림 6

7.1 채널 시스템

7.1 채널 시스템은 5.1 채널 시스템의 서라운드 스피커에 두 개의 스피커가 후방을 채우기 위해 추가됩니다. 실내에서 사용할 경우 추가 스피커 두 개는 뒤쪽 벽이나 벽 위에 배치됩니다. (그림 7).

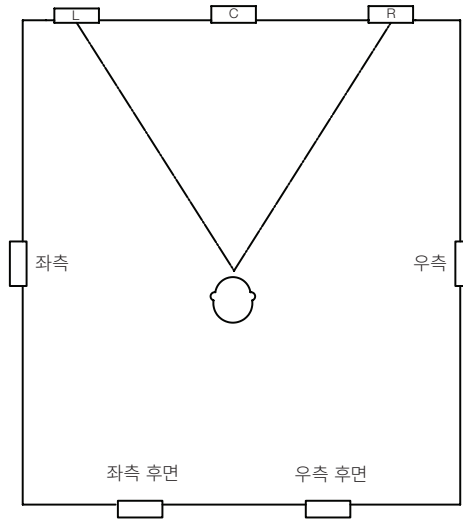


그림 7

일반 설치 관련 참고 사항

1. 후면 인클로저 및 배플 네트워크로 향하는 모든 배선 연결을 확인합니다.
2. 설치 전에 배선 옵션(단일 전선, 이중 배선, 바이 앰프)에서 선택하십시오.

앰프에 스피커 연결하기

Synthesis SCL-1 라우드 스피커를 파워 앰프 또는 리시버에 연결하려면 컨덕터가 2개인 절연 스피커 전선을 사용하십시오.

전선 길이	권장 크기
최대 609.6cm(20피트)	14게이지
최대 914.4cm(30피트)	12게이지
914.4cm(30피트) 초과	10게이지

SCL-1 스프링이 든 결박 단자는 최대 #10 AWG의 연선을 수용할 수 있습니다.

혹업 와이어 준비

1. 앰프와 각 그룹(전면, 서라운드, 후면 서라운드)에서 가장 먼 스피커 사이의 거리를 파악합니다.
2. 적절한 채널 밸런스를 유지하기 위해 가장 멀리 있는 스피커보다 앰프에 훨씬 더 가까이 있는 스피커가 있더라도 각 그룹의 모든 스피커에 사용할 혹업 와이어는 이 동일한 길이로 합니다. 바이 앰프 또는 이중 배선을 선택하는 경우 추가 전선을 준비하십시오.
3. 벽을 통해 장착 위치까지 배선합니다.
4. 각 컨덕터의 양 끝에서 절연을 9.525mm(3/8") 벗겨내고 각 연선을 비틀어 나선형 다발로 단단히 오므립니다.
5. 스피커와 전자 장치의 단자에는 해당 양극(+) 및 음극(-)이 있습니다. JBL, Inc.을 비롯한 대부분의 스피커 및 전자 장치 제조업체는 양극(+)을 빨간색으로, 음극(-)을 검정색으로 표시합니다. 연결하기 전에 확인하십시오.

모든 스피커를 동일하게 연결하는 것이 중요합니다. 스피커의 양극(+)을 앰프의 양극(+)에, 스피커의 음극(-)을 앰프의 음극(-)에 연결합니다. 어떤 스피커든 시스템의 다른 스피커에 "위상이 일치하지 않게" 배선하면(+를 -에, -를 +에) 소리가 얇고 베이스가 약하며 음상이 줄어듭니다.

각 스피커 전선 쌍에 있는 컨덕터 2개의 시각적 차이를 확인하십시오. 서로 다른 전선의 색(구리 또는 은), 컨덕터 하나에 포함된 실의 가닥(얇음, 외부 절연 일부가 용기되어 골이 있음) 또는 외부 절연 일부에 인쇄된 표시로 구별할 수 있습니다. 모든 스피커가 동일하게 양극(+)이 양극(+)에, 음극(-)이 음극(-)에 연결되어 있다면 두 개의 가닥 중 어느 것이 스피커 및 앰프의 양극(+)과 음극(-)으로 가는지는 중요하지 않습니다(그림 8).

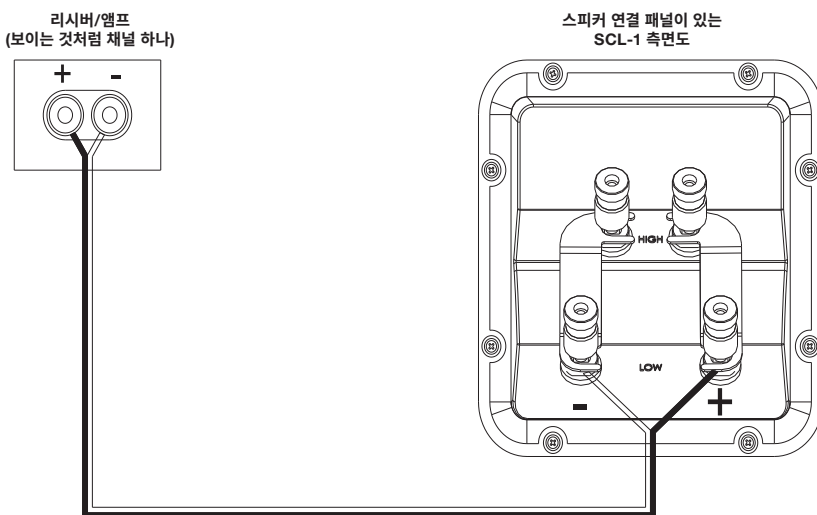


그림 8

이중 배선 또는 바이 앰프 옵션

SCL-1에는 이중 배선 또는 바이 앰프 작동용으로 두 세트의 커넥터가 있습니다.

1. 이중 배선된 각 스피커용으로 두 쌍의 전선을 자릅니다.
2. 저주파수 용도로 고안된 와이어 쌍의 양쪽 끝을 "LF"로 표시하고 고주파수 용도로 고안된 와이어의 양쪽 끝을 "HF"로 표시합니다. 그런 다음, 두 세트의 와이어를 장착 위치로 배선하십시오.
3. "HF" 라벨이 표기된 쌍을 스피커의 "HF" 입력에 연결하고, "LF" 라벨이 표기된 쌍을 "LF" 입력에 연결합니다. (그림 9).
4. 이중 배선 또는 바이 앰프 스피커를 설치하기 전에 단자를 풀어 단자 컵에 있는 두 개의 금도금 점퍼 스트랩을 제거합니다. 스트랩을 나중에 사용할 수 있도록 안전하게 보관합니다. 단자를 LF 및 HF 와이어에 조여야 합니다. (그림 9).
5. 본 사용자 설명서 다른 곳의 지침에 따라 후면 박스 및 스피커 설치를 계속합니다.

주의: 점퍼 스트랩이 부착된 상태에서 이중 배선 방식으로 스피커에 연결하지 마십시오. 앰프의 심각한 손상, 개인 상해 또는 기타 재산 피해가 발생할 수 있습니다.

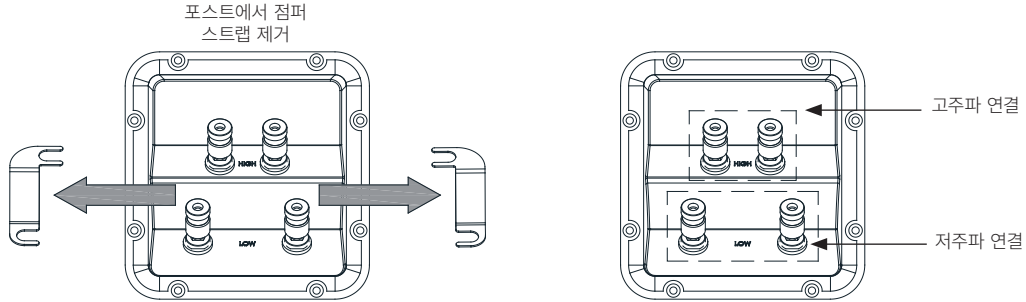


그림 9

이중 배선

동일한 앰프 채널에서 서로 다른 두 전선에 의해 스피커의 고주파 및 저주파 입력이 발생되면 앰프와 스피커 시스템이 이중 배선된 것입니다. 연결에는 일반적으로 서로 다른 종류의 전선이 사용됩니다. 고전류 용량 전선 또는 사용자에게 베이스 음이 더 좋게 들리도록 하는 전선은 주로 저주파에 사용되며, 낮은 인덕턴스 전선 또는 사용자에게 트레블 음이 더 좋게 들리도록 하는 전선은 고주파에 사용됩니다. 두 전선 모두 동일한 앰프 출력에 연결됩니다. 이 전선을 사용한 결과 사운드가 꽤 개선되었다는 보고가 있습니다.

SCL-1을 이중 배선하려면 다음 그림에 따라 스피커를 연결하십시오:

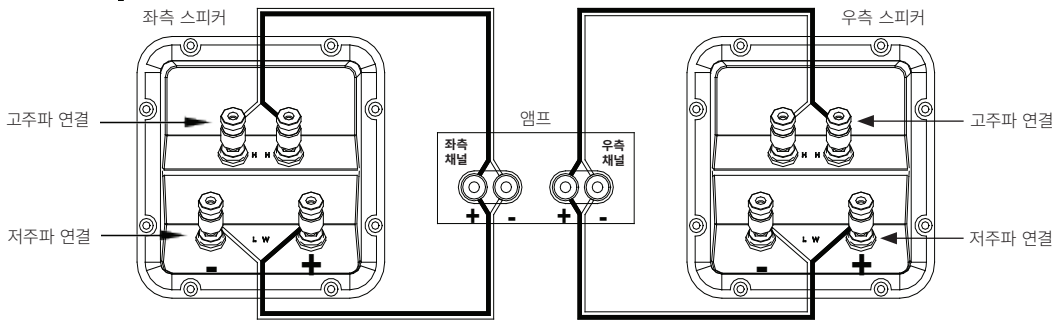
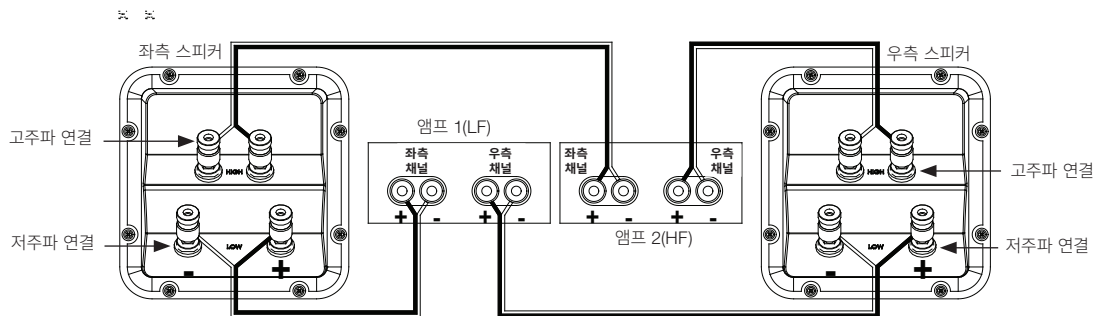


그림 10

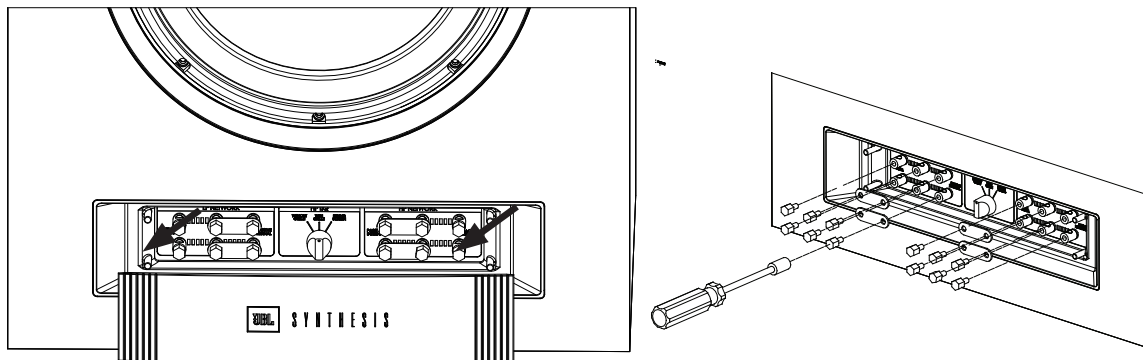
이중 배선 및 바이 앰프 연결(계속):

바이 앰프 배선

앰프의 한 채널이 고주파에 사용되고 다른 채널은 저주파에 사용될 때 앰프와 스피커 시스템은 바이 앰프 연결된 것입니다. 2웨이 스피커 1개가 스테레오 앰프의 두 채널을 모두 사용할 수 있습니다. 서로 다른 대역폭에 더 잘 맞는 앰프 채널과 전선을 선택하면 사운드가 눈에 띄게 개선될 수 있습니다. SCL-1을 바이 앰프 배선하려면 다음 그림에 따라 스피커를 연결하십시오:



LF 및 HF 네트워크 연결



주의:
 느슨한 쇼팅 바 장착 나사로 인한 전기 접촉 불량을 방지하기 위해 나사를 꼭 조였는지 확인하십시오. 그러나 너무 꼭 조이면 단자 자체가 손상될 위험이 있습니다. 적당한 토크를 가하여 손으로만 나사를 조이십시오.

내장형 LF 및 HF 네트워크 연결을 사용한 기본 설정입니다

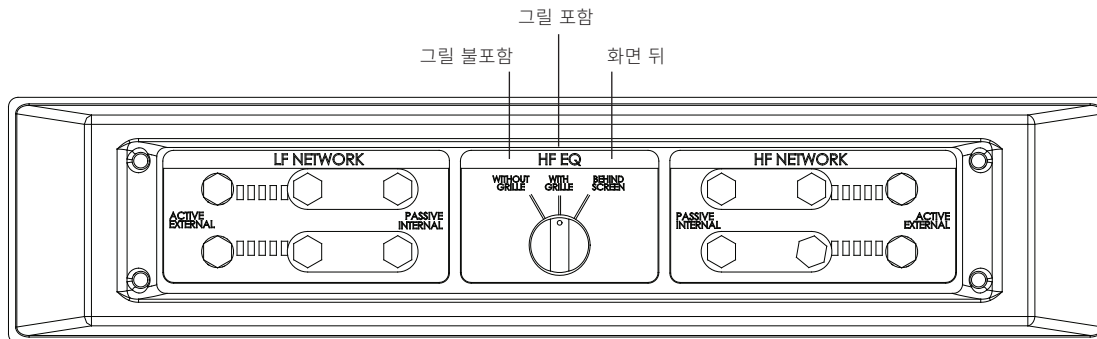


그림 11

내장형 LF 및 HF 네트워크 연결을 사용한 바이패스 설정입니다

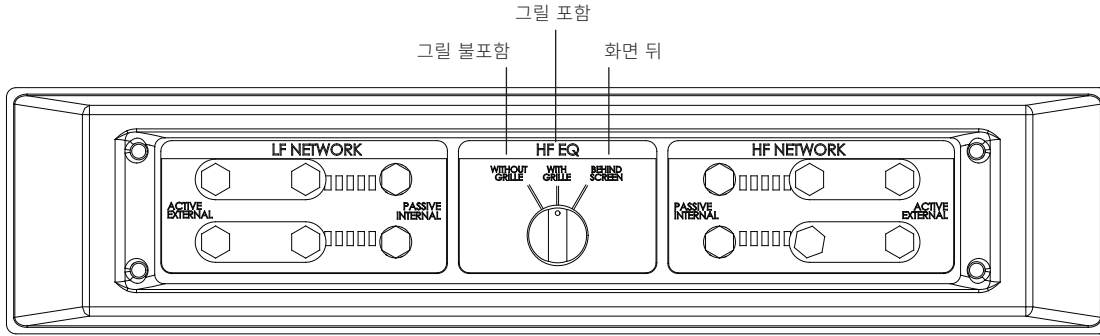


그림 12

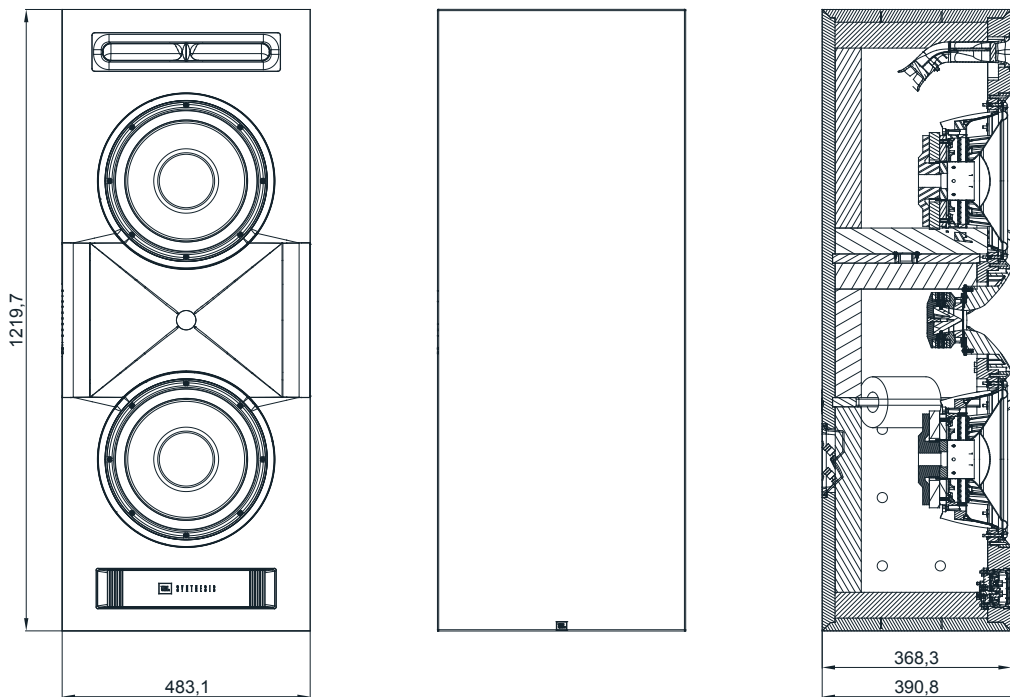
스피커 관리

- 캐비닛을 깨끗한 마른 천으로 닦아 먼지를 제거합니다. 젖은 천으로 닦으면 캐비닛 마감에 얼룩이 생길 수 있습니다. 벤젠, 페인트 희석제 또는 알코올과 같은 휘발성 액체를 캐비닛에 사용하지 마십시오.
- 캐비닛 근처에서 살충제를 분사하지 마십시오.
- 그릴 직물에서 먼지를 제거하려면 진공 청소기 흡입 정도를 약하게 설정하여 사용하십시오.
- 그릴 색상이 바래거나 고르지 않게 될 수 있으니 그릴을 물로 세척하지 마십시오.
- 우퍼 콘의 표면에 먼지가 낀 경우 마른 상태의 부드러운 캘리그래피용 붓이나 미술용 붓으로 조심스럽게 쓸어내십시오. 젖은 천을 사용하지 마십시오.

사양

스피커 유형	2웨이 실내 라우드 스피커
저주파수 드라이브 크기 및 소재	듀얼 12인치(300mm) 블랙 카본 셀룰로오스 복합재 콘(C4) 캐스트 프레임 우퍼
고주파수 드라이브 크기 및 소재	3"(75mm) 이중 애놀러 Teonex® 링 다이어프램 컴프레션 드라이버 및 이중 네오디뮴 모터 구조를 고품질 이미징(HDI™) 혼에 결합
권장 앰프 출력, 전체 대역폭	500WRMS, 최소
권장 앰프 출력, 80Hz 크로스오버	500WRMS, 최소
공칭 임피던스	4Ω
라우드 스피커 민감도	94dB/2.83V/1m
주파수 응답	40Hz~24kHz(-6dB), 3차 LF 롤 오프
크로스오버 주파수	775Hz
커버리지 영역, -6dB @ 10kHz	약 120도(수평) x 100도(수직)
커버리지 영역, -6dB @ 20kHz	약 90도(수평) x 70도(수직)
인클로저 유형	Complementary Bass Alignment System(CBAS™)
제어부	3개 위치 - 그릴 불포함, 그릴 포함 또는 화면 뒤
입력 유형	금도금 스프링 장착 결박 단자 이중 세트
제품 치수(그릴 포함)	48.02" H x 19.02" W x 15.4" D (1219.7mm x 483.1mm x 390.8mm)
제품 중량(그릴 포함)	80.5kg(177.5lb)
마감	블랙 비닐

치수





Manufacturer: Harman International Industries, Incorporated
Address: 8500 Balboa Blvd, Northridge, CA 91329, UNITED STATES
European Representative: Harman International Industries, Incorporated
EMEA Liaison Office, Herikerbergweg 9, 1101 CN Amsterdam, The
Netherlands Hannan International Industries, Limited,
Ground Floor, Westside 2, London Road, Apsley, Hemel Hempstead,
Hertfordshire, HP3 9TD, United Kingdom

© 2021 HARMAN International Industries, Incorporated. All rights reserved.
JBL Synthesis and HDI (High Definition Imaging) are trademarks of HARMAN
International Industries, Incorporated, registered in the United States and/or
other countries. Teonex is a registered trademark of DuPont Tenjin Films.
Features, specifications and appearance are subject to change without
notice.

For additional languages, please visit jblsynthesis.com
Pour les autres langues, veuillez visiter jblsynthesis.com
Informationen in weiteren Sprachen finden Sie unter jblsynthesis.com
Para obtener otros idiomas, visite jblsynthesis.com
如需其他语言,请访问 jblsynthesis.com
추가 언어에 대해서는 jblsynthesis.com에서 확인하십시오
他の言語で読むには jblsynthesis.com にアクセスしてください
Para obter o manual do usuário em outros idiomas, acesse jblsynthesis.com



Part No. 950-0580-001 Rev 1